



Atomizing Nozzle

Model ANB-4

Model ANB-8



ANB-4



ANB-4

303 Stainless Steel Construction

Available in 1/4 Inch (ANB-4) and 1/2 Inch (ANB-8) MNPT

60 Degree (Approximate) Spray Pattern

Can Be Used for Line Check or as Backup for Line Check

Accelerates Mixing of Liquids or Promotes Atomization of Liquid Into Gas

NOTE: Nozzles Are Heat Treated and May Have Darker Appearance Than on Brochure

Sidewinder Pumps Inc. Lafayette, Louisiana, USA

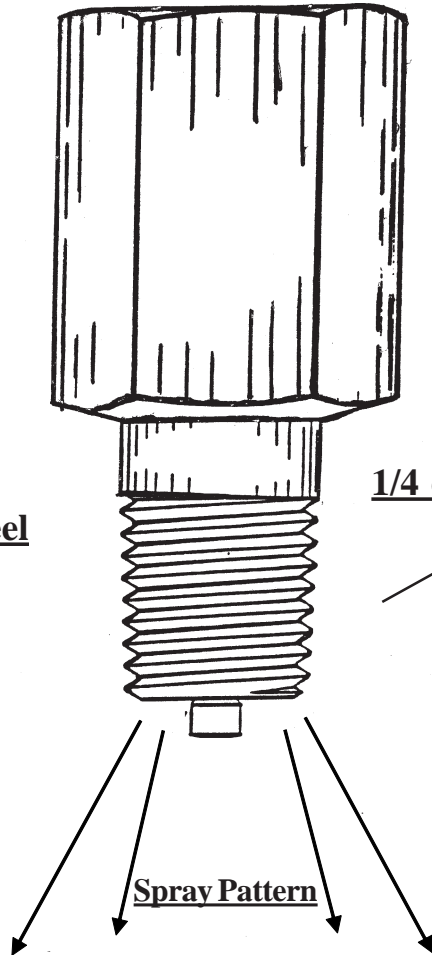
Office (337) 235-9838 / Fax (337) 235-9852

website: www.sidewinderpumps.com / email: sales@sidewinderpumps.com



1/4 Inch FNPT

Heat Treated



1/4 or 1/2 Inch MNPT

303 Stainless Steel Construction

Spray Pattern

Maximum Operating Pressure 6,000 PSI

Works More Effectively at Higher Flow Rates

For Calculating Injection Pressures Add 800 PSI To Line Pressure

For Best Results Connect Nozzle As Close To Main Flow Stream As Possible

For Best Results Use of Pump Pulsation Dampener Will Increase Effectiveness

For Best Results Spray Cone Should Spray Into Main Flow Stream Uninterrupted