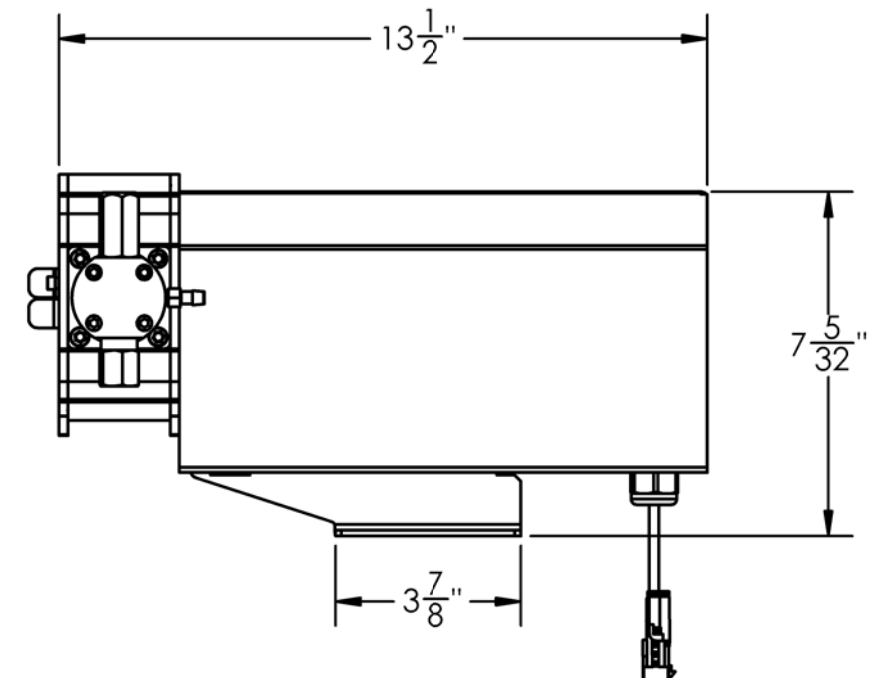
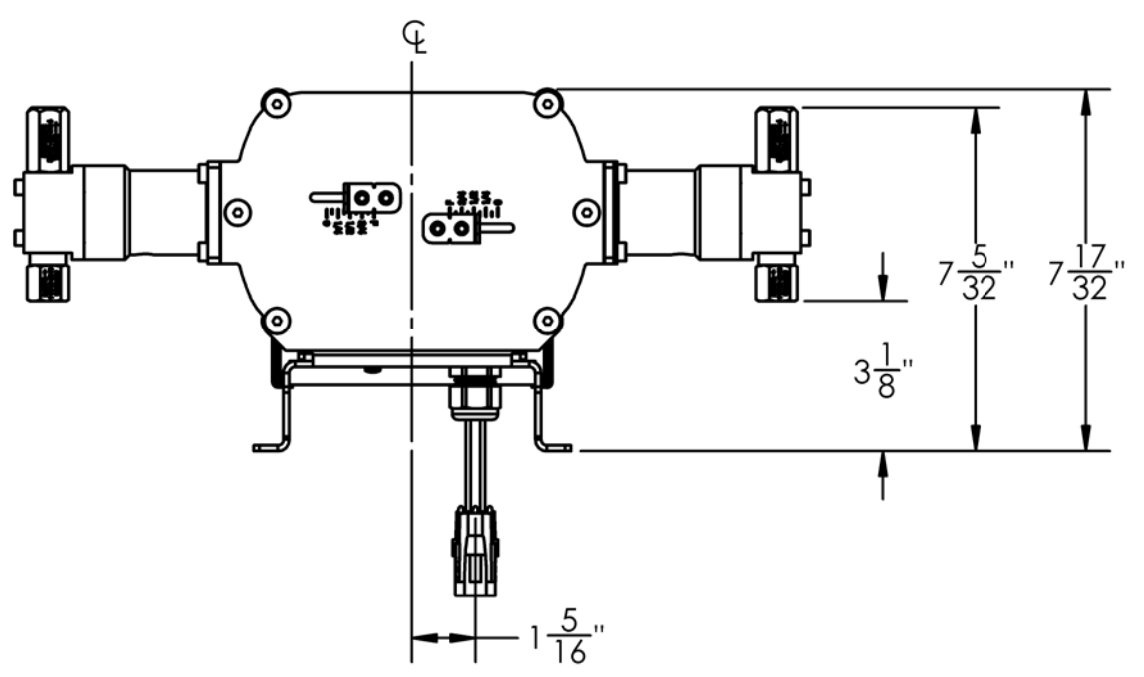
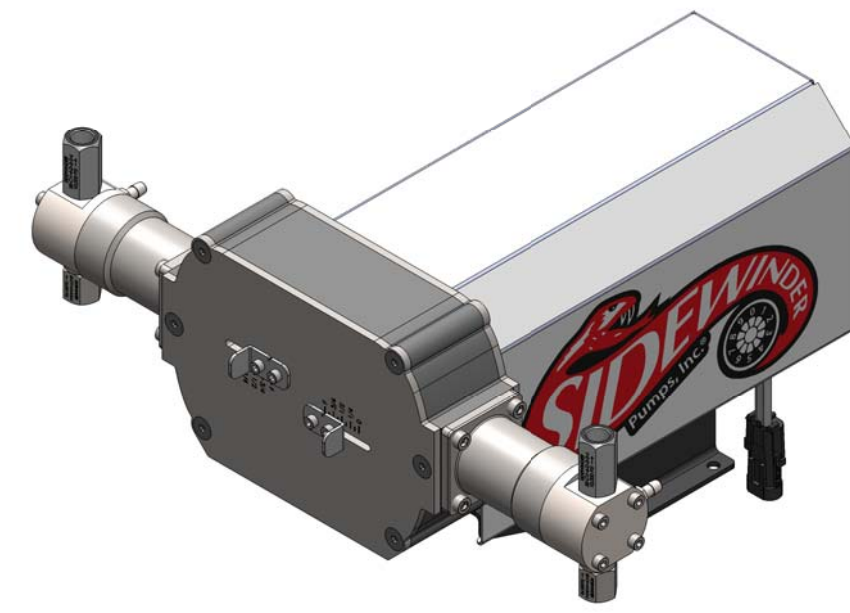
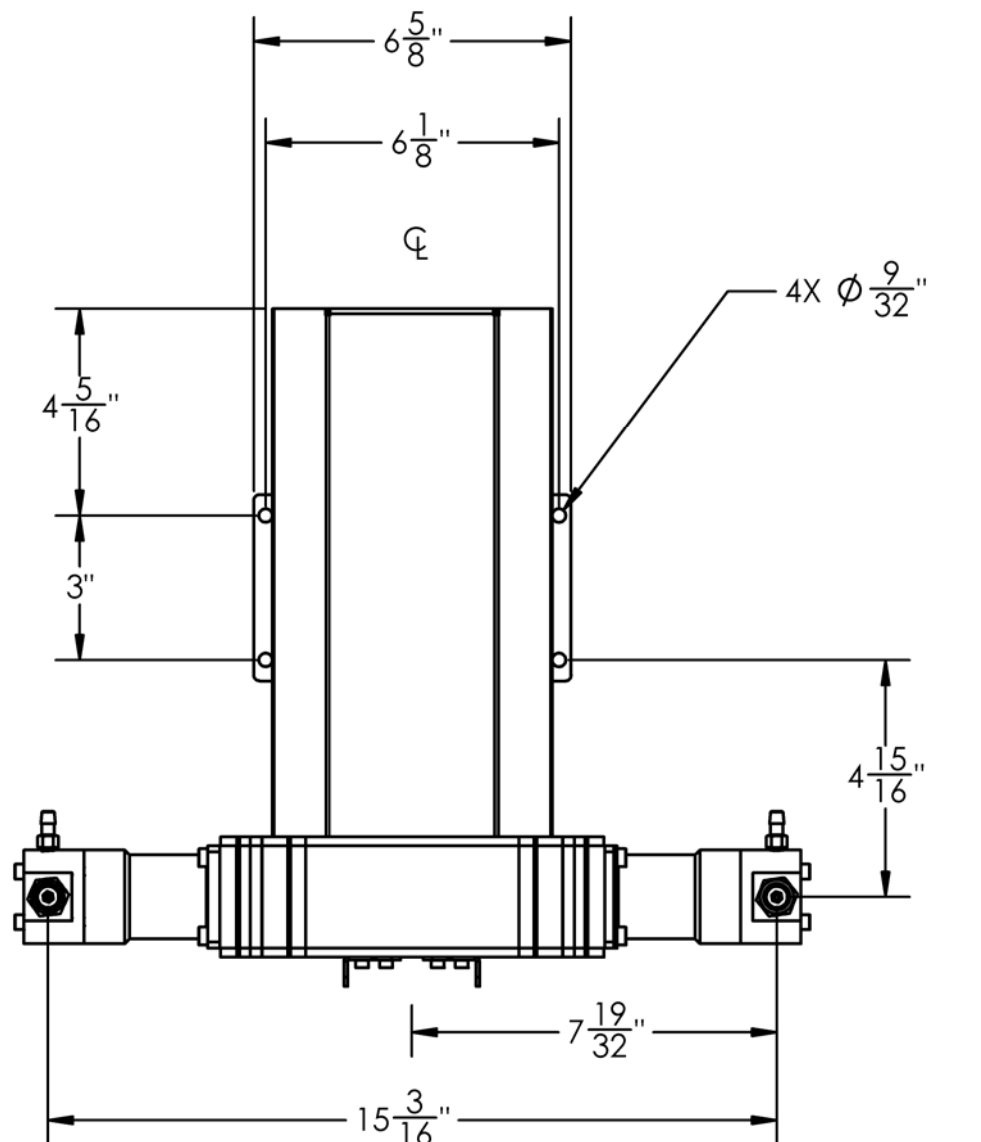


REVISIONS		
REV.	DESCRIPTION	DATE
1	INITIAL RELEASE OF DRAWING	6/17/14
2	CHANGED VIEW TO SHOW STROKE LIMITERS	3/21/16



UNLESS NOTED OTHERWISE,
DIMENSIONS ARE IN INCHES,
AND TOLERANCES ARE AS FOLLOWS:

FRACTIONAL: $\pm 1/32$
ANGULAR: $\pm 1/2^\circ$
MATERIAL FINISH: 125
TOTAL RUNOUT WITHIN .010 TIR/FIM

ONE PLACE DECIMAL .x $\pm .015$
TWO PLACE DECIMAL .xx $\pm .010$
THREE PLACE DECIMAL .xxx $\pm .005$

FOR DRILLED HOLES:
UP TO 1/2" +.005/- .001
OVER 1/2" TO 1" +.010/- .001
OVER 1" TO 2" +.015/- .001



PO BOX 80769
2108 SW EVANGELINE THRUWAY
LAFALETTE, LA 70598-0769

PART NAME:
Solar Pump Assembly
Duplex Version

PROPRIETARY AND CONFIDENTIAL
THE INFORMATION CONTAINED IN THIS DRAWING IS THE SOLE
PROPERTY OF SIDEWINDER PUMPS, INC. ANY REPRODUCTION
IN PART OR AS A WHOLE WITHOUT THE WRITTEN PERMISSION
OF SIDEWINDER PUMPS, INC. IS PROHIBITED.

DRAWN BY: PRS 6/17/14
CHECKED BY: WPG 6/17/2014
MATERIAL: SEE NOTES

SIZE PART NO. REV
B SE-A-4-XX-XX 2
DO NOT SCALE DRAWING SHEET 1 OF 1