



Oil & Gas Pump Series SW

Chemical Metering Pumps
for the oil and gas industry.

***Digitally
Accurate
Speed
Adjustment***



Intertek

Key Features

- NEMA 4X Style Enclosure
- Guided Double Ball Checks
- Circuit Voltage Protection
- Thermal Overload Protection
- LED Indicating Lights
- Splash Cover Over Controls
- 2 Year Warranty

Application

Series SW metering pumps provide reliable, economical chemical addition for a wide variety of applications.

Precise stroking speed is maintained with a digitally accurate speed adjustment. Metering accuracy is achieved with double ball guided checks. A NEMA 4X style housing allows for outdoor installations.

Series SW pumps are available in outputs up to 30 GPD (113.5 LPD) or 250 PSI (17.2 bar). The digital speed adjustment provides a wide turn down capability on all models.

Build a Model

Model SW _____ - _____

Build your model number. Ex: SW215X1-KFS1

STEP 1 OUTPUT (MAXIMUM)

115 = 15 GPD / 56.7 LPD or 150 PSI (10.3 bar)

130 = 30 GPD / 113.5 LPD or 110 PSI (7.5 bar)

217 = 17 GPD / 64.3 LPD or 250 PSI (17.2 bar)

STEP 2 CONTROL OPTIONS

X = Standard

STEP 3 VOLTAGE

1 = (Standard) 120 Volt USA Plug, 5.5' long

2 = 240 Volt no plug

STEP 4 HEAD MATERIAL

B = T-Style Stainless Steel with Valves

K = Kynar

M = Kynar w/ SS valves

S = 316 Stainless Steel ²

T = 316 Stainless Steel with 1/4" (6.35 mm) NPT ³

STEP 5 SEAT MATERIAL

F = Teflon

H = Hypalon

V = Viton

STEP 6 CHECK BALL

C = Ceramic

S = Stainless

STEP 7 CONNECTIONS ¹

1 = 3/8" (9.525 mm) Tubing - 110 & 150 PSI

2 = 1/4" (6.35 mm) Tubing - 250 PSI

P = 1/4" (6.35 mm) MNPT Connections ²

Q = 1/4" MNPT discharge & 1/4" FNPT suction

R = 1/4" (6.35 mm) FNPT Connections

Notes:

1. All models do not include tubing, foot or injection fittings and must be ordered separately.
2. Option S (Step 4) must have P connection code (Step 7).
3. Pumps with an option T head material (Step 4) have no suction or discharge check ball fittings. Just 1/4" FNPT ports on the head.

For other options, see Price List or consult factory.

Additional Accessories Available

3FV-KFS1 Anti-siphon injector 3/8" tubing

3FV-KFSR Anti-siphon injector 1/4" FNPT

Specifications

Electrical

- Input - 120 VAC or 240 VAC @ 50/60 Hz

Operational

- Stroke length adjustment - 10-100%
- Stroke frequency - 1-125 strokes/minute for 15, 30 & 17 GPD

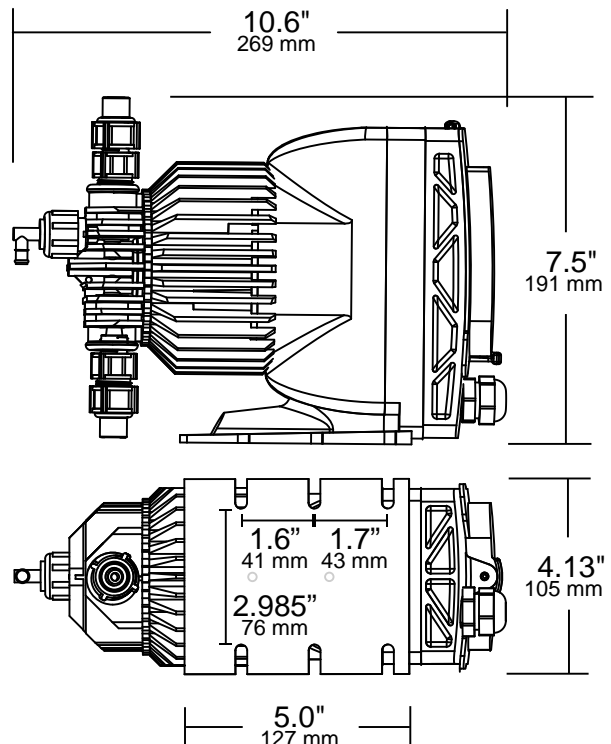
Enclosure

Heavy duty NEMA 4X style high impact thermoplastic with clear lexan cover.

Environment

- Max temperature 140°F(60°C)
- Relative humidity 0 to 100%

Shipping Weight: Approximately 10 lbs. (4.536 kg)



Kynar Head Shown