



Chemical Metering Pumps

www.sidewinderpumps.com

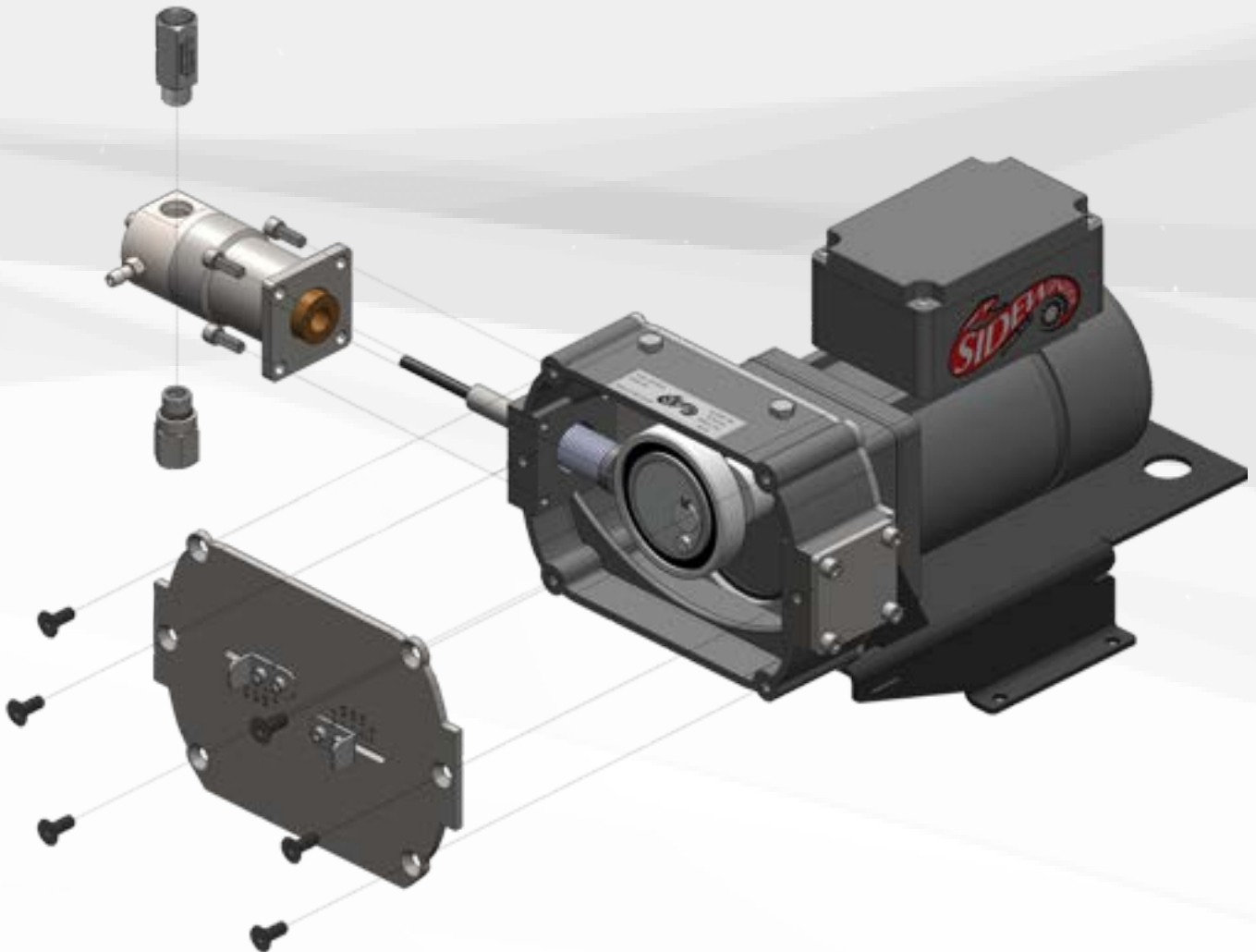
AC Powered Chemical Pump Class 1 Division 2





Chemical Metering Pumps
www.sidewinderpumps.com

The Sidewinder AC Powered Chemical Metering Pump, introducing innovation and simplicity for a more reliable, energy efficient pump that provides lower maintenance cost and ease of repair.

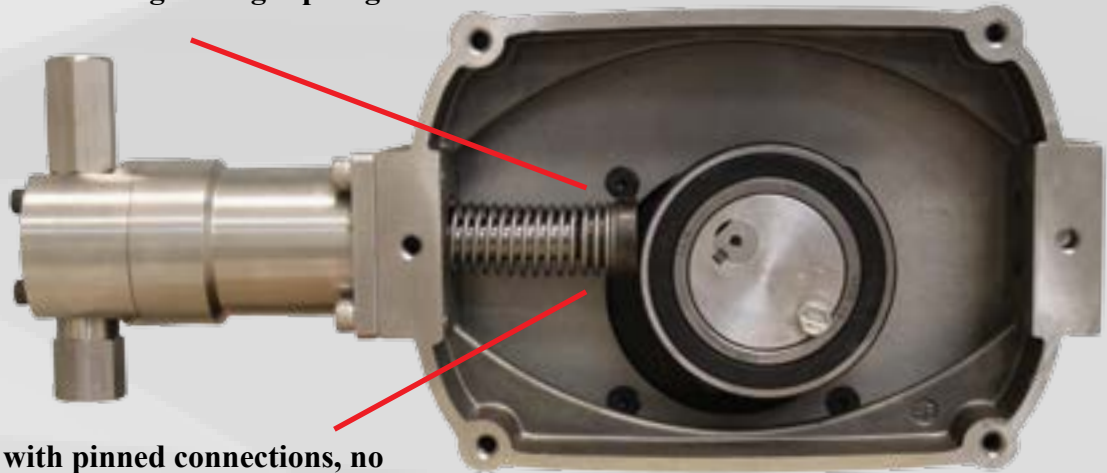


Our approach to designing a better pump resulted in less moving parts. Our direct drive plunger/cam arrangement eliminates the cross head and resulting alignment issues reducing plunger and seal wear. The cartridge style plunger head assembly & one piece plunger seal arrangement allows for ease of repair and ease of changing plunger sizes in less than 10 minutes. The spring return eliminates the motor having to pull the plunger back in the cycle reducing the amount of energy required to complete a full cycle.



Chemical Metering Pumps
www.sidewinderpumps.com

Direct cam drive eliminates crosshead and alignment issues resulting in longer plunger & seal life



No crosshead with pinned connections, no weak points for breakage.

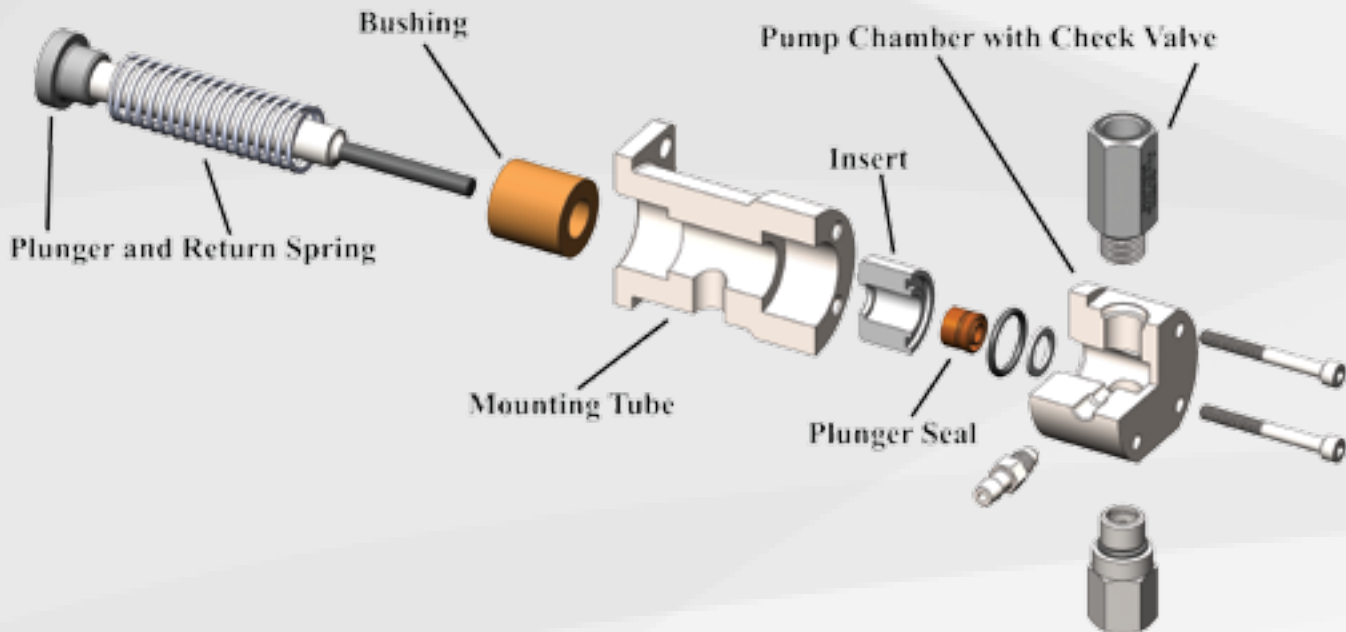
The unique pump base allows for mounting on a surface of choice, whether direct to a skid or a pump stand. The pump base provides clearance and access to check valves for tubing and repair without interference of the mounting surface.



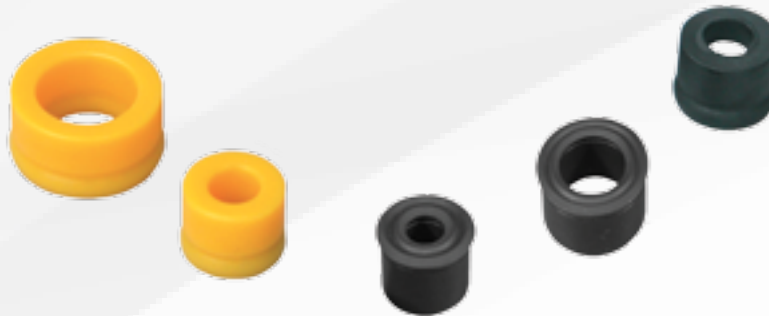
Cartridge style pump head allows for ease of repair in replacing plungers and seals. Plunger sizes can be changed in matter of minutes. System utilizes same packing elements as the Sidewinder pneumatic pumps.



Chemical Metering Pumps
www.sidewinderpumps.com



Innovation is the name of the game, and Sidewinder is leading the way with our plunger and seal design. Sidewinder uses an insert that holds the plunger seal. To change plunger sizes, simply change the insert, plunger and plunger seal. Plungers come Ceramic coated as standard, providing excellent chemical resistance and wear life. The entire assembly is mounted to the drive housing using only 4 fasteners, and can be removed in matter of minutes.



Sidewinder AC pumps use the same seal arrangements as our pneumatic pumps. Chevron or adjustable style packing allows the operator to over tighten the packing creating excessive drag on the plunger, resulting in greater energy draw, which shortens battery life. With our unique design, seals can be changed in matter of minutes without having to dig them out with tools that can mar or damage the seal gland.



Chemical Metering Pumps
www.sidewinderpumps.com

Stroke Length Adjuster



Sidewinder Pumps introduces our new Stroke Length Adjuster for AC / Solar Pump lines. The progressive design allows for 0-100% adjustment while pump is running. This provides accurate flow control options especially on duplex pumps with different size plungers. Setting the Stroke Adjuster to 0 will allow maintenance to be done to that pump without having to take pump out of service. The Stroke Adjuster can be retrofitted to existing pumps.



Chemical Metering Pumps
www.sidewinderpumps.com



The Sidewinder Timer is practical and user friendly. It comes standard with a built-in temperature probe for Methanol applications. A data I/O port for Mod Bus communication allows for remote monitoring and metering control. The timer can be programmed to run in various configurations according to injection requirements. Dosing can be intermittent (scavenger type applications with smaller doses over shorter time period) or set for batch dosing (large doses over longer time period). Injection rates are achieved by combinations of the on/off cycles in either seconds (intermittent) or minutes (batch). Minimum pump output is 0.02 quarts/day (simplex 1/4" plunger 1 stroke per hour) to maximum of 588 quarts/day (duplex 1/2" plunger continuous 60 strokes per minute).

NOTE: The Sidewinder C1D2 Timer and Pump motor are approved for use in Class 1 Division 2 areas. All connections must be performed by an electrician for work in Class 1 Division 2 areas, and must use agency approved conduit, fittings, etc. The pump motor and timer utilize 120 VAC and will not run on alternate voltages. (120 VAC, 5.0 AMPS, CLASS 1 DIVISION 2 GROUPS A, B, C, & D)

Specifications

Max Flow Rates

1/4"
3/8"
1/2"

Simplex

72 QPD (18 GPD)
164 QPD (41 GPD)
296 QPD (74 GPD)

Duplex

148 QPD (37 GPD)
332 QPD (83 GPD)
588 QPD (147 GPD)

Max Pressure Ratings

1/4"
3/8"
1/2"

0.22 HP Motor

5,000 PSI
2,500 PSI
1,250 PSI

Motor Specifications

110 VAC / 60 Hz / 1 Phs

Sidewinder Pumps, Inc.
Lafayette, LA USA
Office: 337-235-9838
www.sidewinderpumps.com
info@sidewinderpumps.com





Chemical Metering Pumps
www.sidewinderpumps.com



Chemical Metering Pumps
www.sidewinderpumps.com

ACHD	1-SIMPLEX; 2-DUPLEX	PLUNGER SIZE	PLUNGER SEAL	CHECK VALVE / BODY SEAL	CHECK VALVE BALL	WET END	/	PLUNGER SIZE	PLUNGER SEAL	CHECK VALVE / BODY SEAL	CHECK VALVE BALL	WET END
	<input type="checkbox"/>	<input type="checkbox"/>	<input type="checkbox"/>	<input type="checkbox"/>	<input type="checkbox"/>	<input type="checkbox"/>	<input type="checkbox"/>	<input type="checkbox"/>	<input type="checkbox"/>	<input type="checkbox"/>	<input type="checkbox"/>	<input type="checkbox"/>
LEFT SIDE						RIGHT SIDE						

ITEM	CODE	DESCRIPTION
PLUNGER SIZE	4	1/4"
	6	3/8"
	8	1/2"
PLUNGER SEAL OPTIONS	0	TEFLON GRAPHITE UNISEAL
	1	TECHNO UNISEAL (POLYMEDE)
	4	TEFLON UNISEAL
	4A	TEFLON UNISEAL W/ AFLAS O-RING INSERT
	4B	TEFLON UNISEAL W/ BUNA O-RING INSERT
	4V	TEFLON UNISEAL W/ VITON O-RING INSERT
	8	POLYBLEND UNISEAL
	8V	POLYBLEND UNISEAL W/ VITON INSERT
	9	CUSTOMER SPECIFIED
	V	VITON/CARBON TEFLON UNISEAL
CHECK VALVE/ BODY SEAL OPTIONS	2	VITON O-RING
	3	BUNA O-RING
	5	CHEMRAZ O-RING
	6	HITEC O-RING (AFLAS)
	7	VIRGIN TEFLON O-RING
CHECK VALVE BALL OPTIONS	2	316 STAINLESS STEEL
	4	CERAMIC
WET END	2	316 STAINLESS STEEL
PLUNGER	4	CERAMIC COATED



Chemical Metering Pumps

www.sidewinderpumps.com

“Dedicated to providing state of the art metering solutions for all your chemical treatment needs.”

Sidewinder Pumps, Inc.

Electric Powered Chemical Metering Pumps

Pneumatic Chemical Metering Pumps

Solar Powered Chemical Metering Pumps

P.O. Box 80769, Lafayette, LA 70598-0769

107 Commission Blvd, Lafayette, LA 70508

www.sidewinderpumps.com

info@sidewinderpumps.com

Phone: 337-235-9838 • Fax: 337-235-9852

