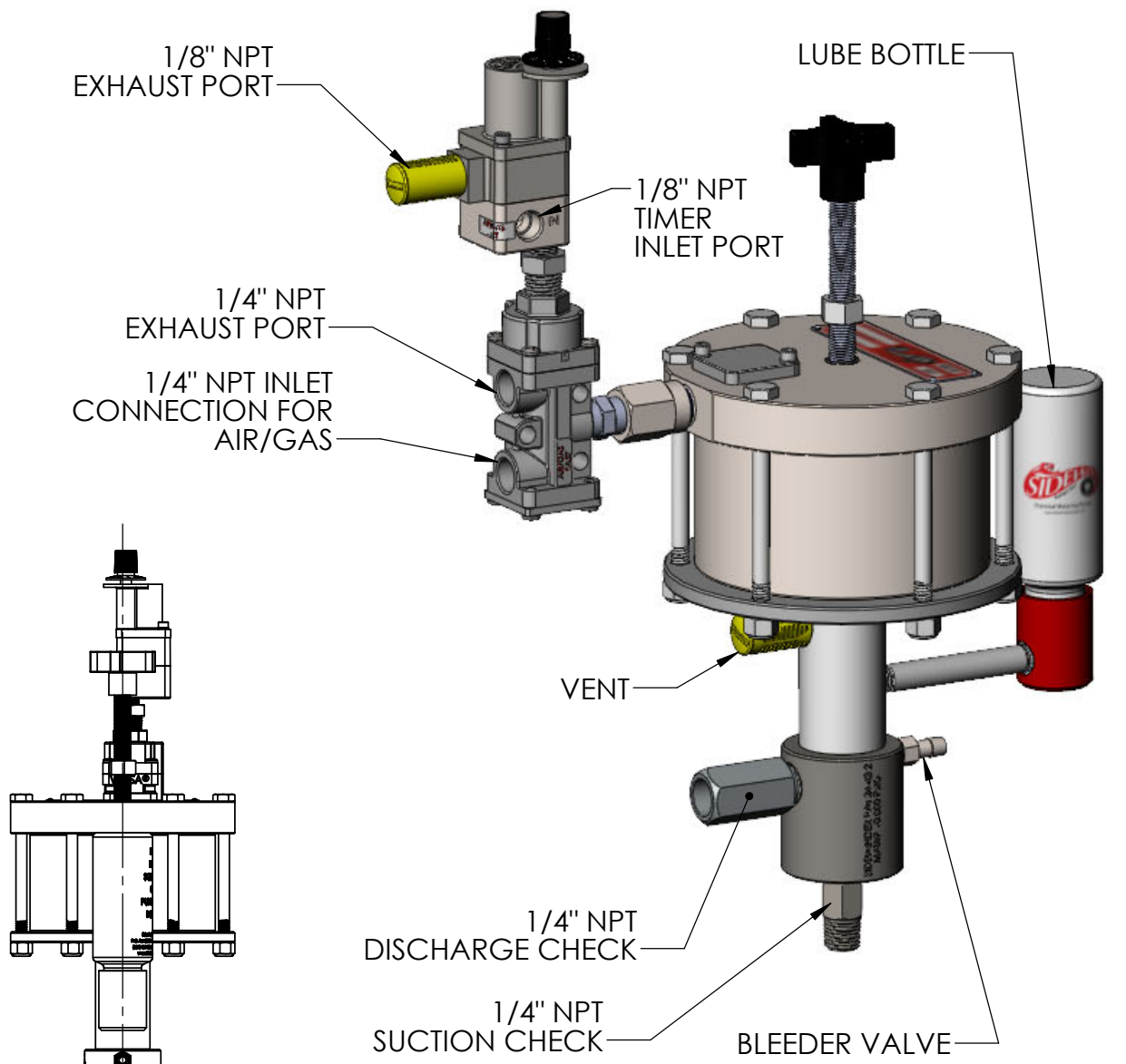
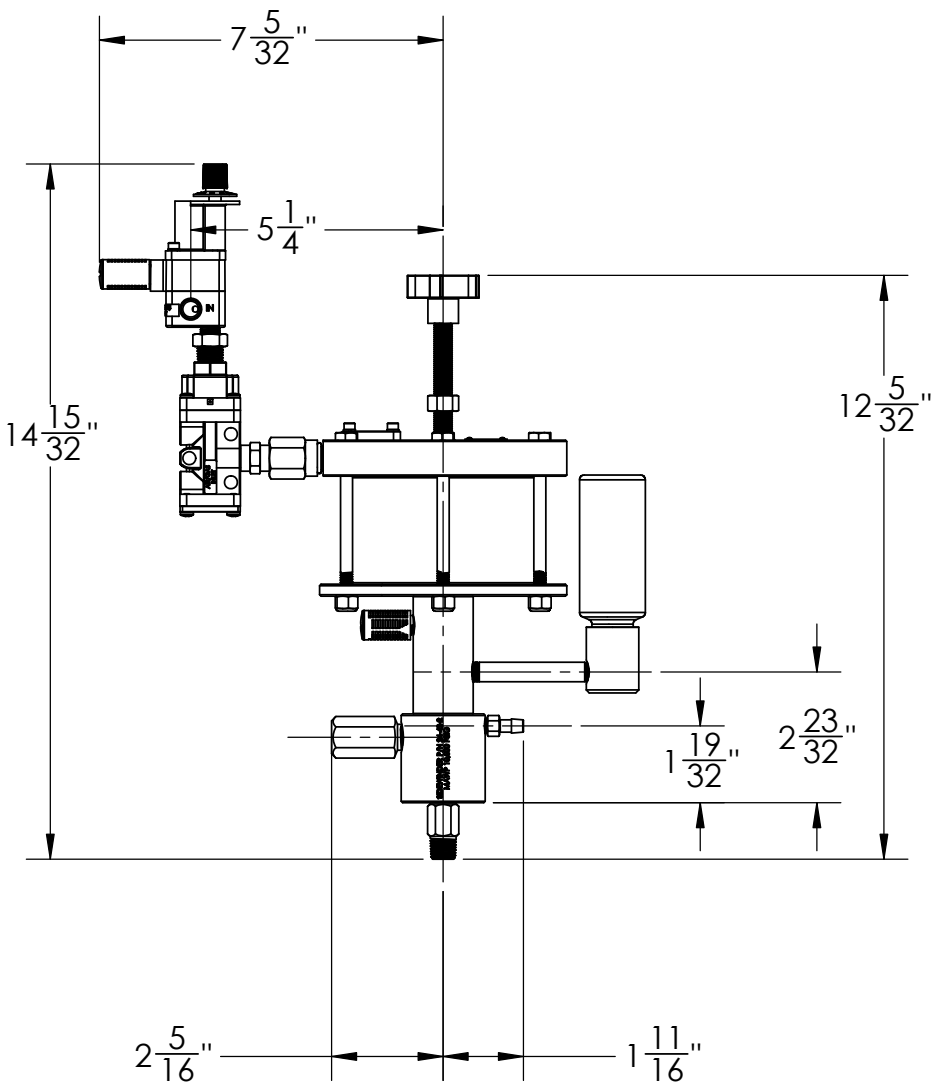
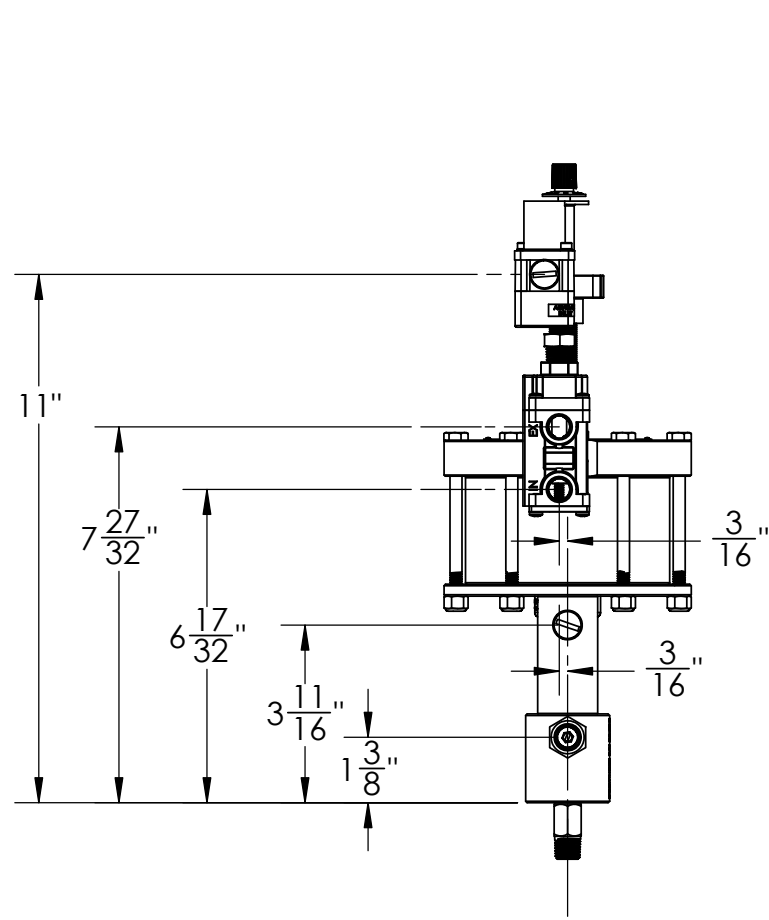
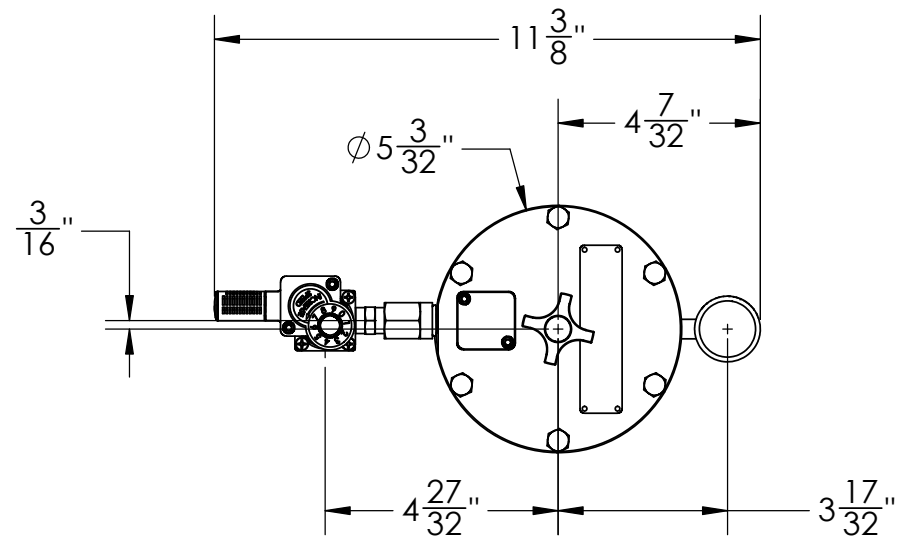


REVISIONS		
REV.	DESCRIPTION	DATE
-	INITIAL RELEASE	11/26/17
1	CHANGED RELAY	7/8/22

D
C
B
A

D
C
B
A



UNLESS NOTED OTHERWISE, DIMENSIONS ARE IN INCHES AND TOLERANCES ARE AS FOLLOWS:

FRACTIONAL: ±1/32
 ANGULAR: ±1/2°
 MATERIAL FINISH: 125
 TOTAL RUNOUT WITHIN .010 TIR/FIM

ONE PLACE DECIMAL .x ±.015
 TWO PLACE DECIMAL .xx ±.010
 THREE PLACE DECIMAL .xxx ±.005

FOR DRILLED HOLES:
 UP TO 1/2" +.005/-001
 OVER 1/2" TO 1" +.010/-001
 OVER 1" TO 2" +.015/-001



PO BOX 80769
 2108 SW EVANGELINE THRUWAY
 LAFAYETTE, LA 70598-0769

PART NAME:
MODEL 44 "CR"
 OVERALL ASSEMBLY DIMENSIONS

PROPRIETARY AND CONFIDENTIAL
 THE INFORMATION CONTAINED IN THIS DRAWING IS THE SOLE PROPERTY OF **SIDEWINDER PUMPS, INC.** ANY REPRODUCTION IN PART OR AS A WHOLE WITHOUT THE WRITTEN PERMISSION OF **SIDEWINDER PUMPS, INC.** IS PROHIBITED.

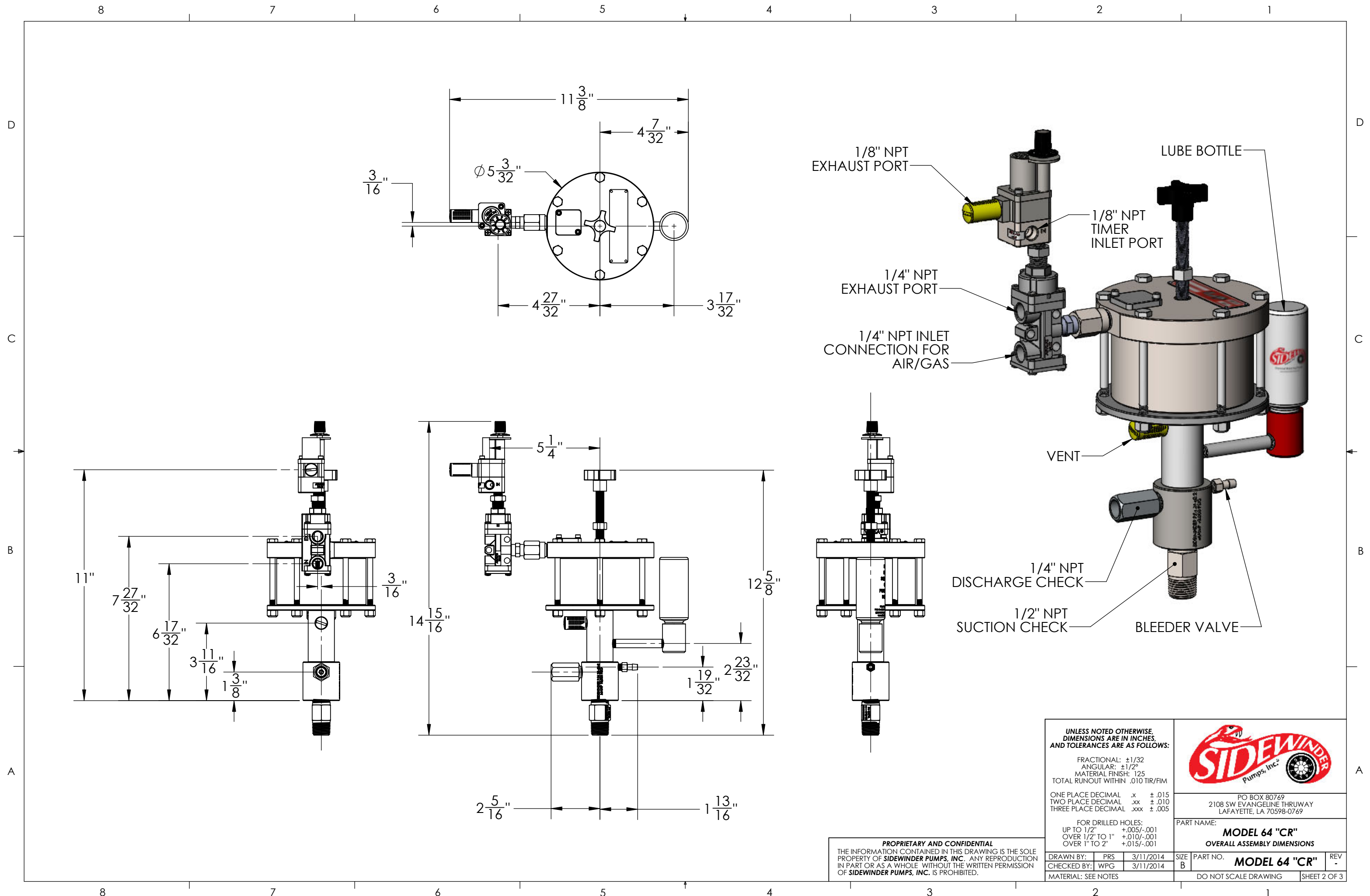
DRAWN BY:	PRS	3/11/2014
CHECKED BY:	WPG	3/11/2014
MATERIAL:	SEE NOTES	

SIZE	B
PART NO.	MODEL 44 "CR"
REV	1

DO NOT SCALE DRAWING SHEET 1 OF 3

8 7 6 5 4 3 2 1

8 7 6 5 4 3 2 1



UNLESS NOTED OTHERWISE, DIMENSIONS ARE IN INCHES AND TOLERANCES ARE AS FOLLOWS:

FRACTIONAL: $\pm 1/32$
 ANGULAR: $\pm 1/2^\circ$
 MATERIAL FINISH: 125
 TOTAL RUNOUT WITHIN .010 TIR/FIM

ONE PLACE DECIMAL .x $\pm .015$
 TWO PLACE DECIMAL .xx $\pm .010$
 THREE PLACE DECIMAL .xxx $\pm .005$

FOR DRILLED HOLES:
 UP TO 1/2" +.005/-001
 OVER 1/2" TO 1" +.010/-001
 OVER 1" TO 2" +.015/-001



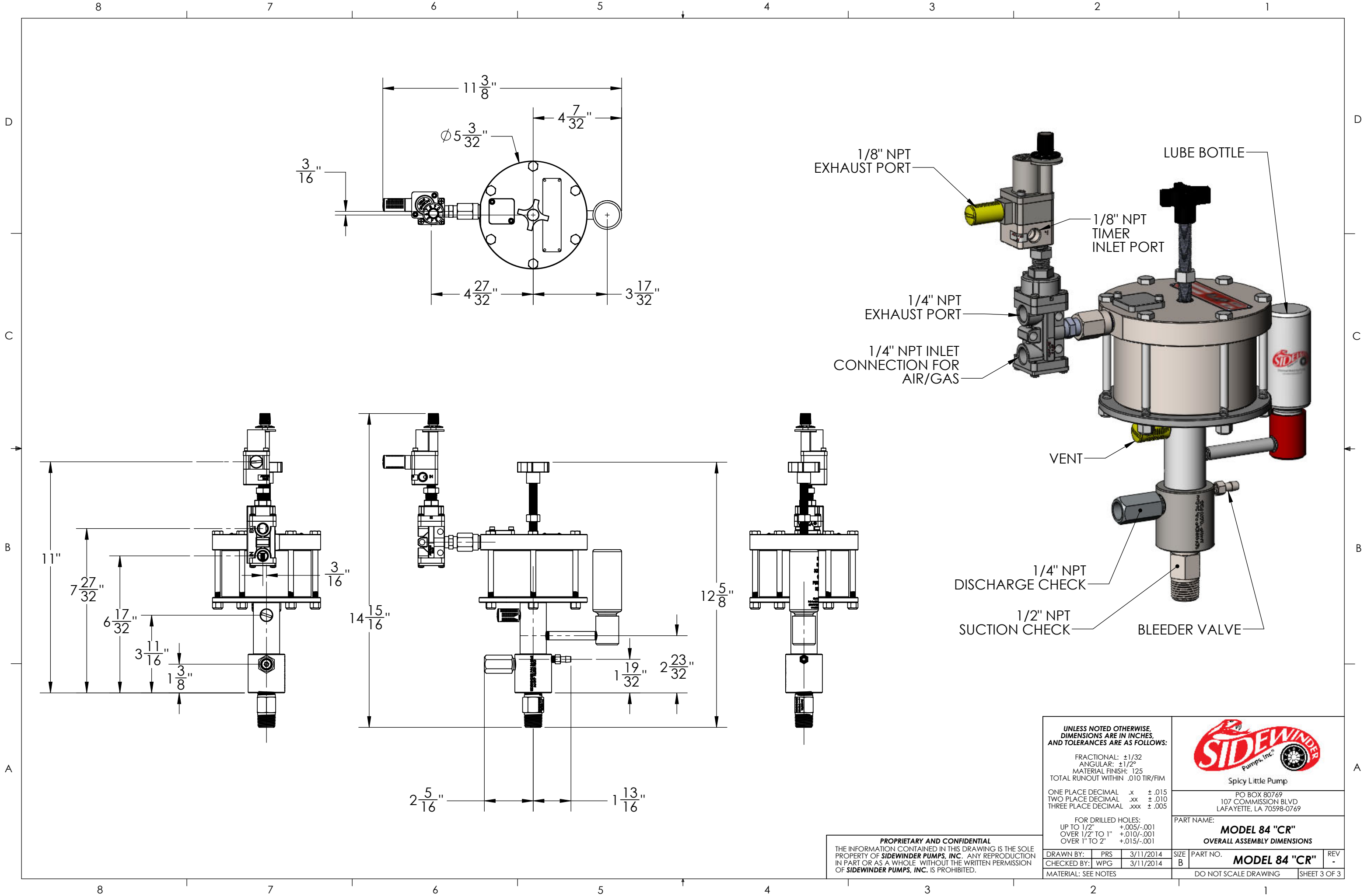
PO BOX 80769
 2108 SW EVANGELINE THRUWAY
 LAFAYETTE, LA 70598-0769

PART NAME:
MODEL 64 "CR"
 OVERALL ASSEMBLY DIMENSIONS

PROPRIETARY AND CONFIDENTIAL
 THE INFORMATION CONTAINED IN THIS DRAWING IS THE SOLE PROPERTY OF **SIDEWINDER PUMPS, INC.** ANY REPRODUCTION IN PART OR AS A WHOLE WITHOUT THE WRITTEN PERMISSION OF **SIDEWINDER PUMPS, INC.** IS PROHIBITED.

DRAWN BY: PRS 3/11/2014
 CHECKED BY: WPG 3/11/2014
 MATERIAL: SEE NOTES

SIZE B PART NO. **MODEL 64 "CR"** REV -
 DO NOT SCALE DRAWING SHEET 2 OF 3



UNLESS NOTED OTHERWISE,
DIMENSIONS ARE IN INCHES
AND TOLERANCES ARE AS FOLLOWS:

FRACTIONAL: $\pm 1/32$
ANGULAR: $\pm 1/2^\circ$
MATERIAL FINISH: 125
TOTAL RUNOUT WITHIN .010 TIR/FIM
ONE PLACE DECIMAL .x $\pm .015$
TWO PLACE DECIMAL .xx $\pm .010$
THREE PLACE DECIMAL .xxx $\pm .005$

FOR DRILLED HOLES:
UP TO 1/2" +.005/-0.001
OVER 1/2" TO 1" +.010/-0.001
OVER 1" TO 2" +.015/-0.001



PO BOX 80769
107 COMMISSION BLVD
LAFAYETTE, LA 70598-0769

PART NAME:
MODEL 84 "CR"
OVERALL ASSEMBLY DIMENSIONS

PROPRIETARY AND CONFIDENTIAL
THE INFORMATION CONTAINED IN THIS DRAWING IS THE SOLE
PROPERTY OF **SIDEWINDER PUMPS, INC.** ANY REPRODUCTION
IN PART OR AS A WHOLE WITHOUT THE WRITTEN PERMISSION
OF **SIDEWINDER PUMPS, INC.** IS PROHIBITED.

DRAWN BY: PRS 3/11/2014
CHECKED BY: WPG 3/11/2014
MATERIAL: SEE NOTES

SIZE B PART NO. **MODEL 84 "CR"** REV -
DO NOT SCALE DRAWING SHEET 3 OF 3