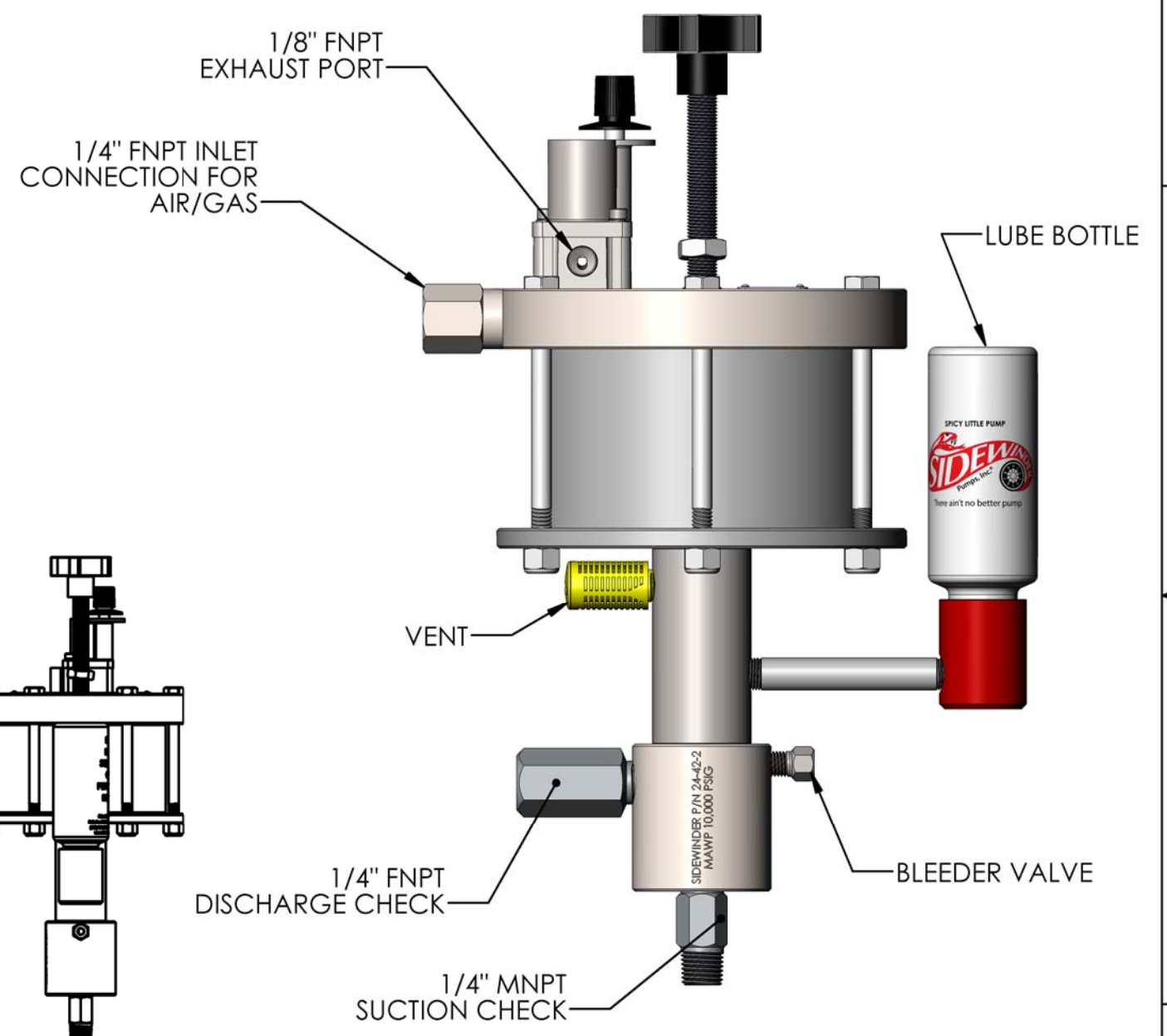
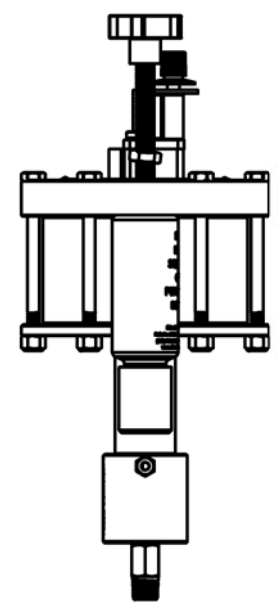
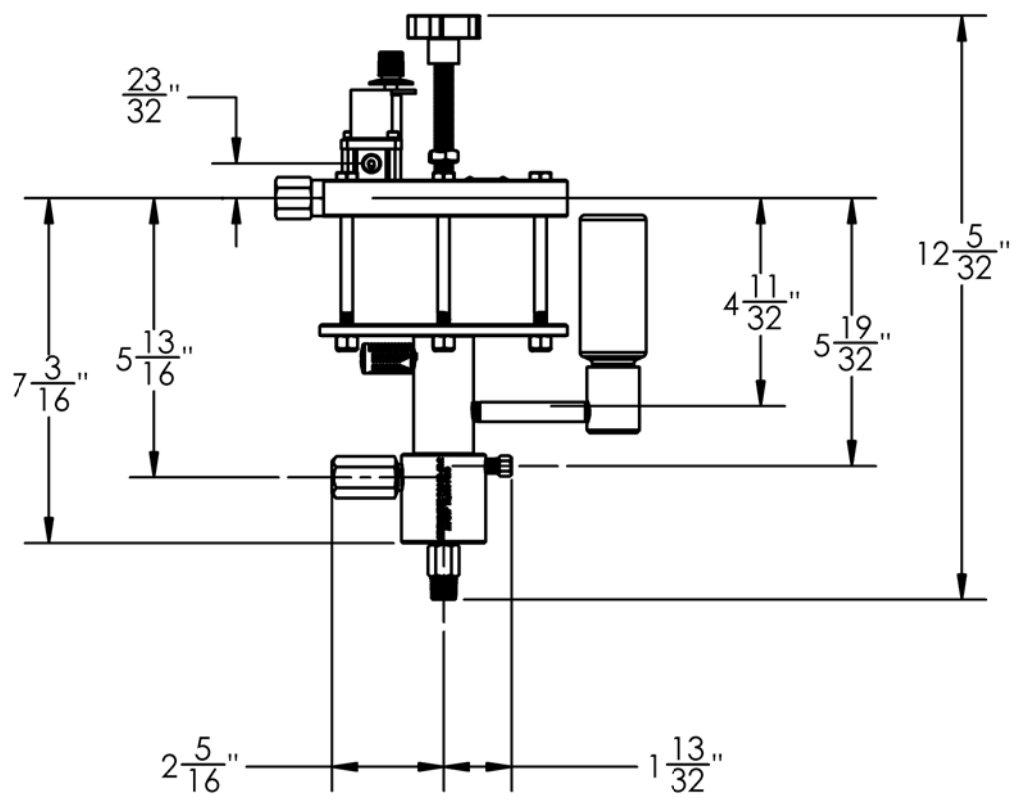
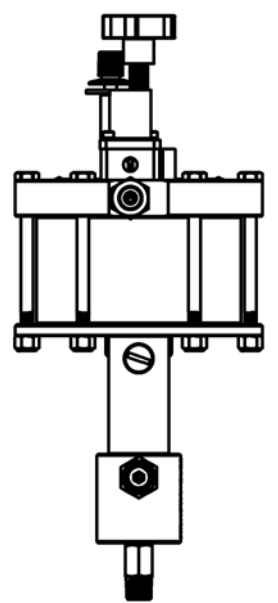
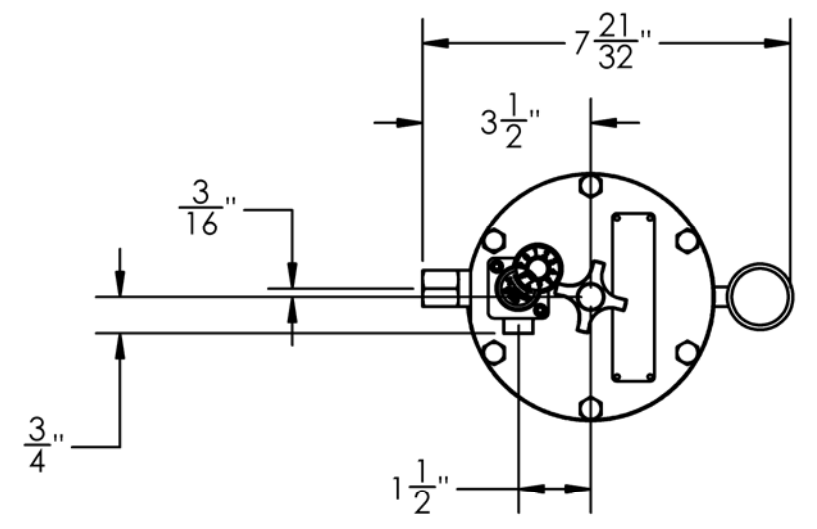


REVISIONS		
REV.	DESCRIPTION	DATE
-	INITIAL RELEASE	3/11/14
1	CHANGED 1/4" FNPT INLET TO CV FROM SOLAR PUMP	3/6/15




UNLESS NOTED OTHERWISE, DIMENSIONS ARE IN INCHES, AND TOLERANCES ARE AS FOLLOWS:

FRACTIONAL: ±1/32
 ANGULAR: ±1/2°
 MATERIAL FINISH: 125
 TOTAL RUNOUT WITHIN .010 TIR/FIM

ONE PLACE DECIMAL .x ±.015
 TWO PLACE DECIMAL .xx ±.010
 THREE PLACE DECIMAL .xxx ±.005

FOR DRILLED HOLES:
 UP TO 1/2" +.005/-001
 OVER 1/2" TO 1" +.010/-001
 OVER 1" TO 2" +.015/-001

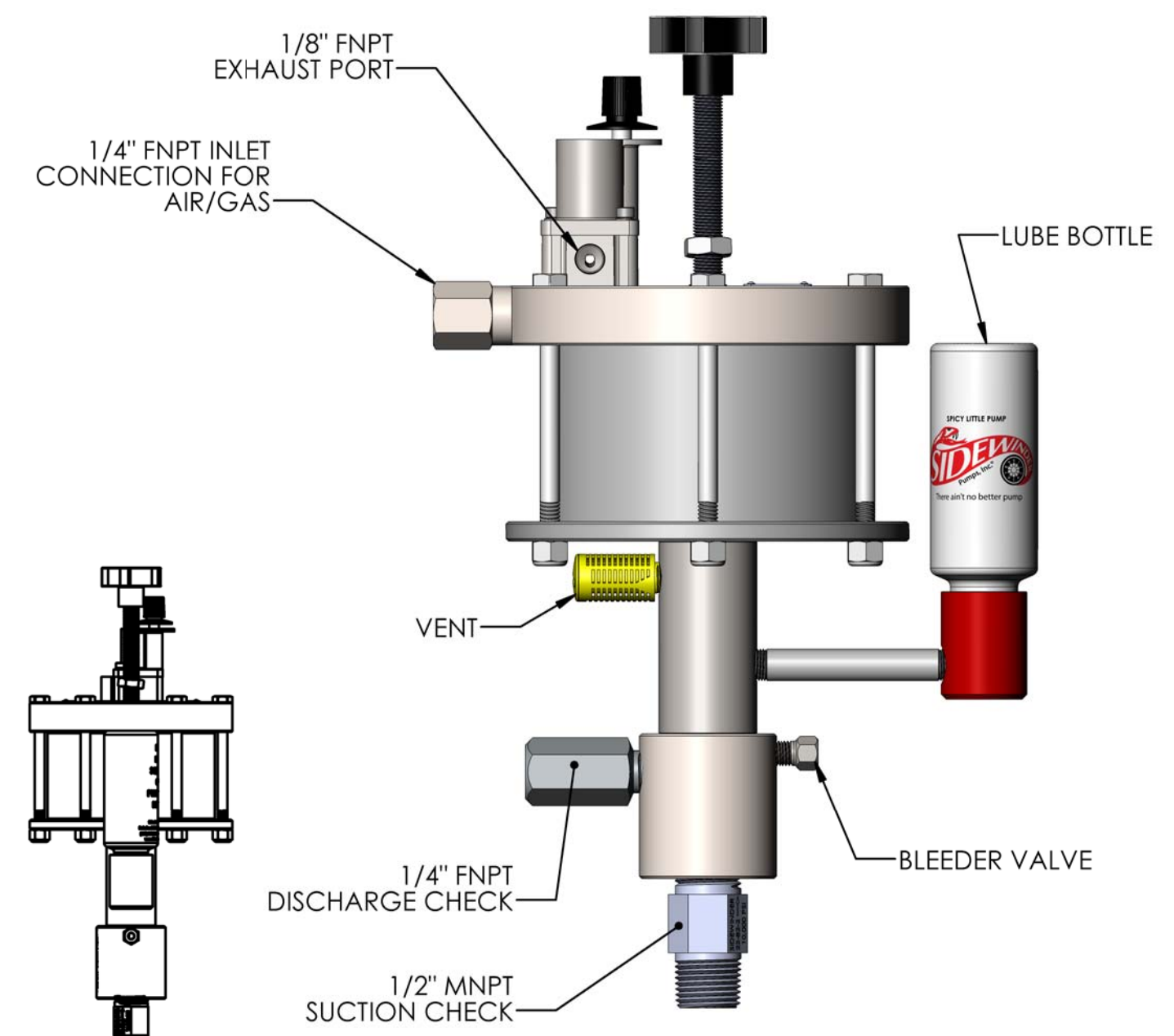
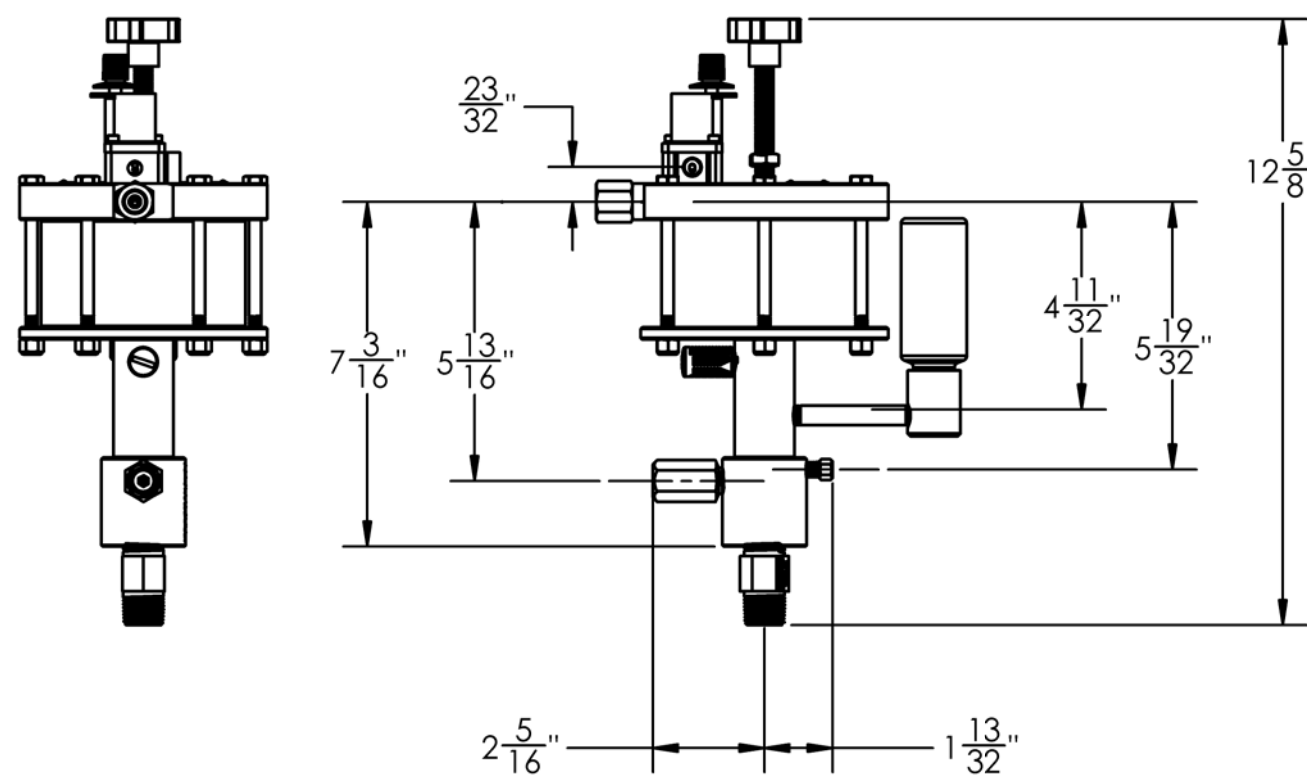
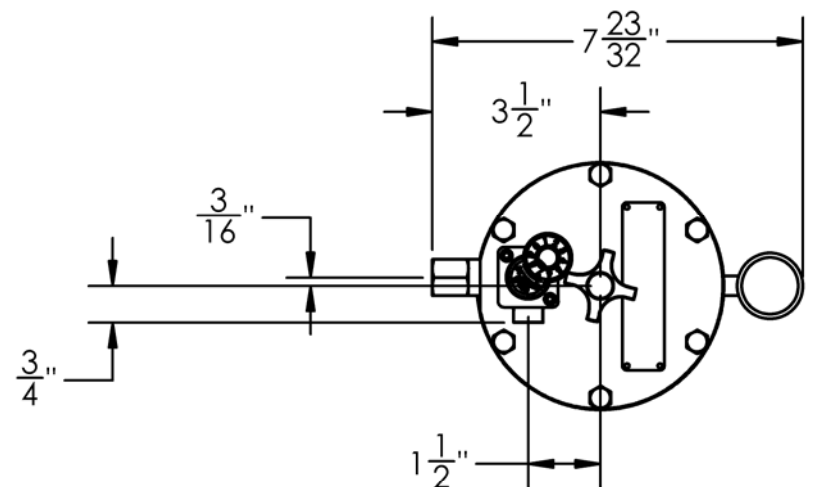


PO BOX 80769
 2108 SW EVANGELINE THRUWAY
 LAFAYETTE, LA 70598-0769

PART NAME:
MODEL 44 "C"
 OVERALL ASSEMBLY

DRAWN BY: PRS	3/11/2014	SIZE B	PART NO. MODEL 44 "C"	REV 1
CHECKED BY: WPG	3/11/2014	DO NOT SCALE DRAWING		SHEET 1 OF 3

PROPRIETARY AND CONFIDENTIAL
 THE INFORMATION CONTAINED IN THIS DRAWING IS THE SOLE PROPERTY OF **SIDEWINDER PUMPS, INC.** ANY REPRODUCTION IN PART OR AS A WHOLE WITHOUT THE WRITTEN PERMISSION OF **SIDEWINDER PUMPS, INC.** IS PROHIBITED.

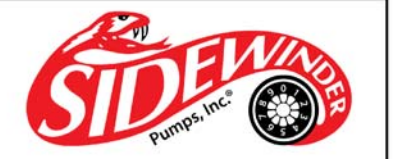


UNLESS NOTED OTHERWISE, DIMENSIONS ARE IN INCHES, AND TOLERANCES ARE AS FOLLOWS:

FRACTIONAL: $\pm 1/32$
 ANGULAR: $\pm 1/2^\circ$
 MATERIAL FINISH: 125
 TOTAL RUNOUT WITHIN .010 TIR/FIM

ONE PLACE DECIMAL .x $\pm .015$
 TWO PLACE DECIMAL .xx $\pm .010$
 THREE PLACE DECIMAL .xxx $\pm .005$

FOR DRILLED HOLES:
 UP TO 1/2" +.005/- .001
 OVER 1/2" TO 1" +.010/- .001
 OVER 1" TO 2" +.015/- .001



PO BOX 80769
 2108 SW EVANGELINE THRUWAY
 LAFAYETTE, LA 70598-0769

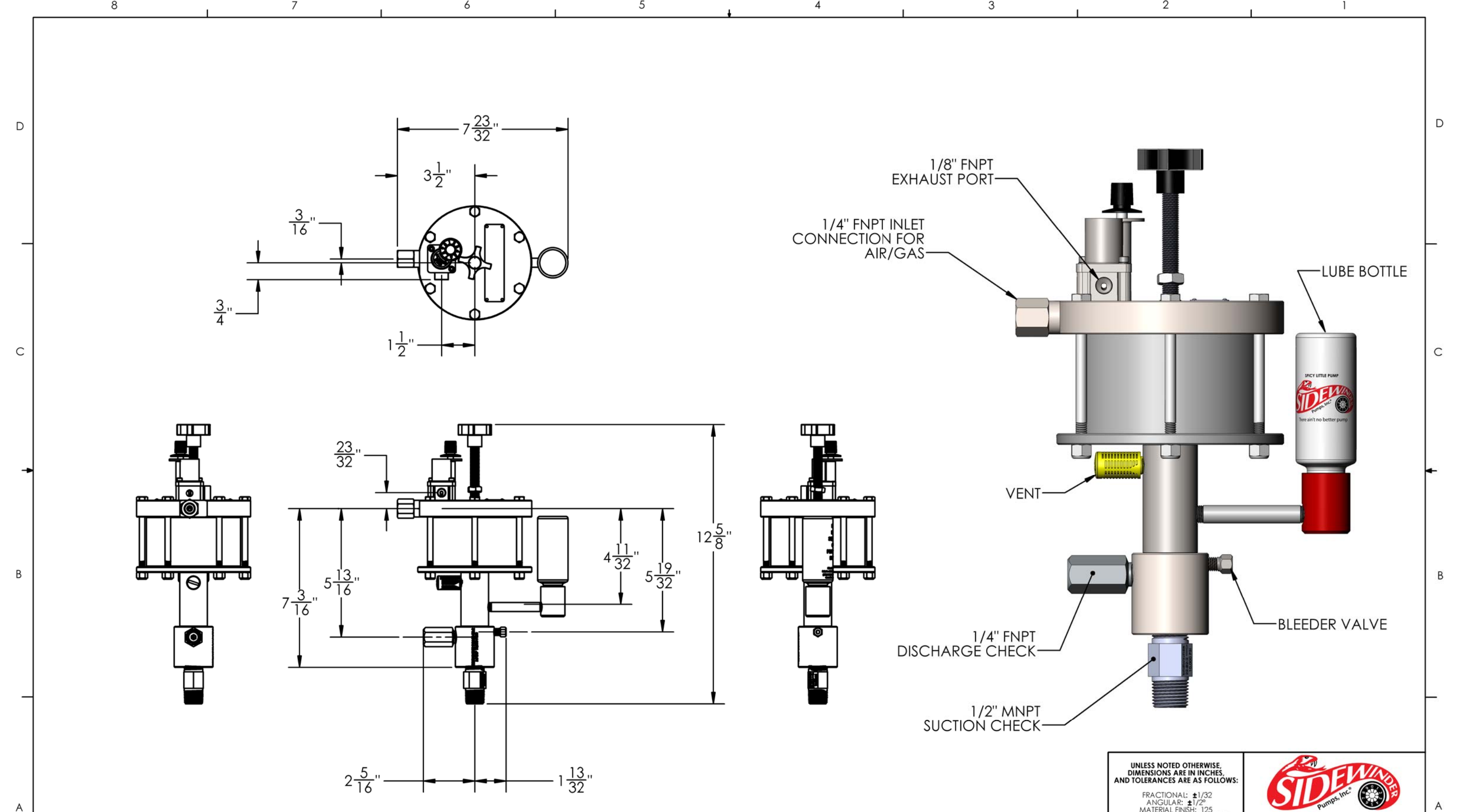
PART NAME:
MODEL 64 "C"
 OVERALL ASSEMBLY DIMENSIONS

PROPRIETARY AND CONFIDENTIAL
 THE INFORMATION CONTAINED IN THIS DRAWING IS THE SOLE PROPERTY OF **SIDEWINDER PUMPS, INC.** ANY REPRODUCTION IN PART OR AS A WHOLE WITHOUT THE WRITTEN PERMISSION OF **SIDEWINDER PUMPS, INC.** IS PROHIBITED.

DRAWN BY: PRS 3/11/2014
 CHECKED BY: WPG 3/11/2014
 MATERIAL: SEE NOTES

SIZE	PART NO.	REV
B	MODEL 64 "C"	1

DO NOT SCALE DRAWING SHEET 2 OF 3



PROPRIETARY AND CONFIDENTIAL
 THE INFORMATION CONTAINED IN THIS DRAWING IS THE SOLE PROPERTY OF **SIDEWINDER PUMPS, INC.** ANY REPRODUCTION IN PART OR AS A WHOLE WITHOUT THE WRITTEN PERMISSION OF **SIDEWINDER PUMPS, INC.** IS PROHIBITED.

UNLESS NOTED OTHERWISE, DIMENSIONS ARE IN INCHES, AND TOLERANCES ARE AS FOLLOWS:

FRACTIONAL: $\pm 1/32$
 ANGULAR: $\pm 1/2^\circ$
 MATERIAL FINISH: 125
 TOTAL RUNOUT WITHIN .010 TIR/FIM

ONE PLACE DECIMAL .x $\pm .015$
 TWO PLACE DECIMAL .xx $\pm .010$
 THREE PLACE DECIMAL .xxx $\pm .005$

FOR DRILLED HOLES:
 UP TO 1/2" +.005/- .001
 OVER 1/2" TO 1" +.010/- .001
 OVER 1" TO 2" +.015/- .001

SIDEWINDER
 Pumps, Inc.

Spicy Little Pump

PO BOX 80769
 107 COMMISSION BLVD
 LAFAYETTE, LA 70598-0769

PART NAME:
MODEL 84 "C"
 OVERALL ASSEMBLY

DRAWN BY: PRS	3/11/2014	SIZE B	PART NO. MODEL 84 "C"	REV 1
CHECKED BY: WPG	3/11/2014	DO NOT SCALE DRAWING		SHEET 3 OF 3