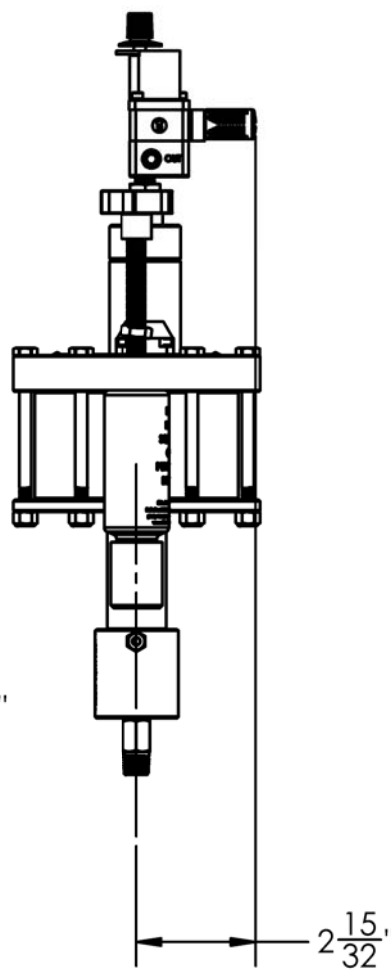
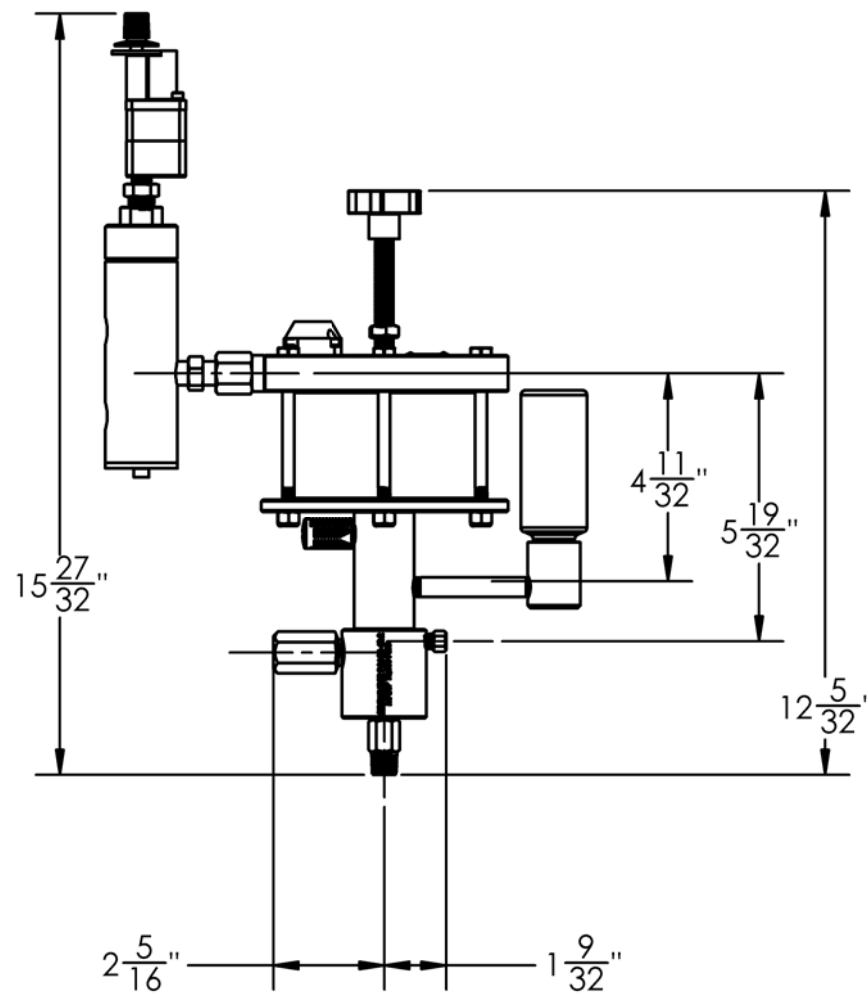
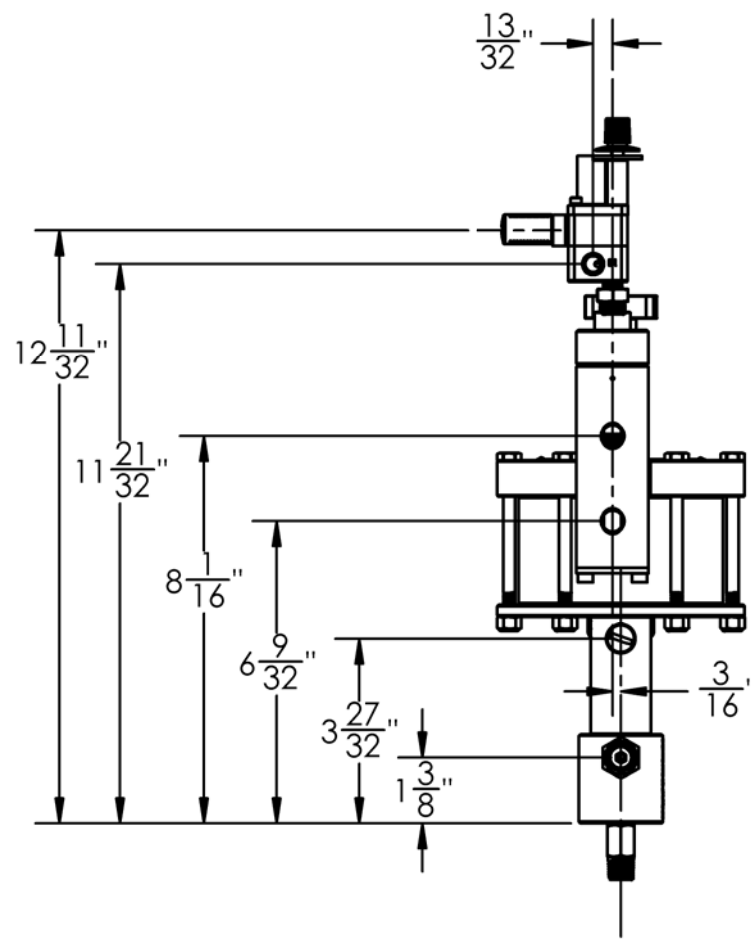
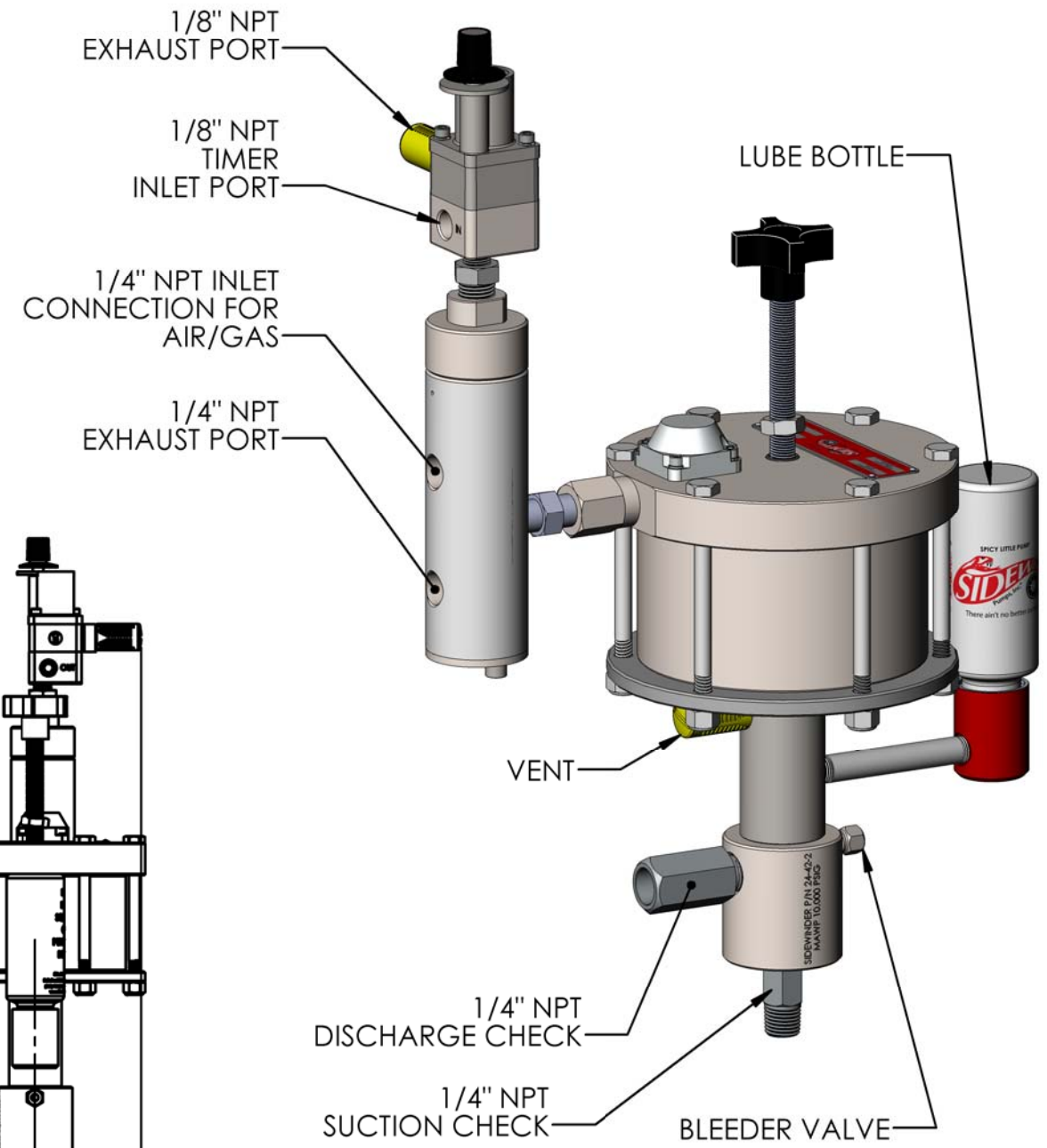
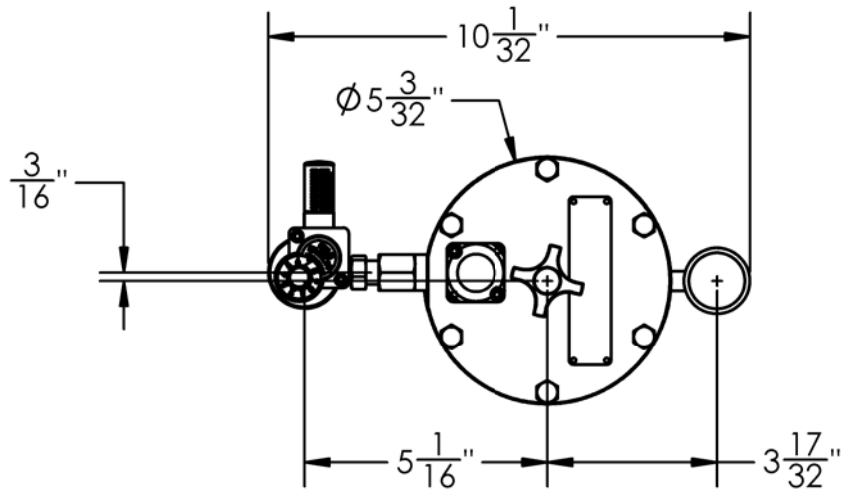


REVISIONS		
REV.	DESCRIPTION	DATE
-	INITIAL RELEASE	11/26/17



UNLESS NOTED OTHERWISE, DIMENSIONS ARE IN INCHES, AND TOLERANCES ARE AS FOLLOWS:

FRACTIONAL: ±1/32  
 ANGULAR: ±1/2°  
 MATERIAL FINISH: 125  
 TOTAL RUNOUT WITHIN .010 TIR/FIM

ONE PLACE DECIMAL .x ±.015  
 TWO PLACE DECIMAL .xx ±.010  
 THREE PLACE DECIMAL .xxx ±.005

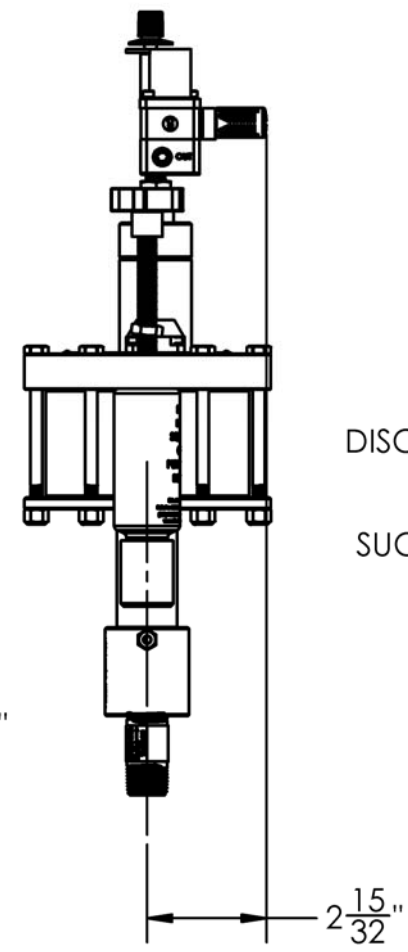
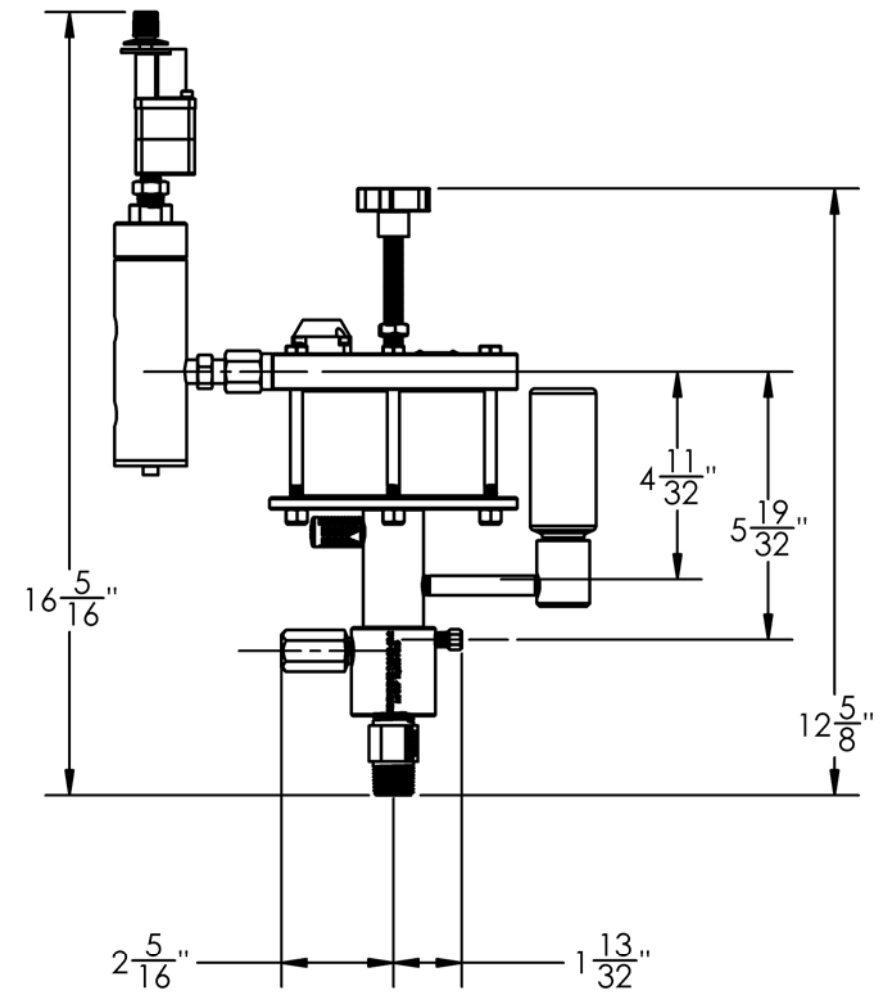
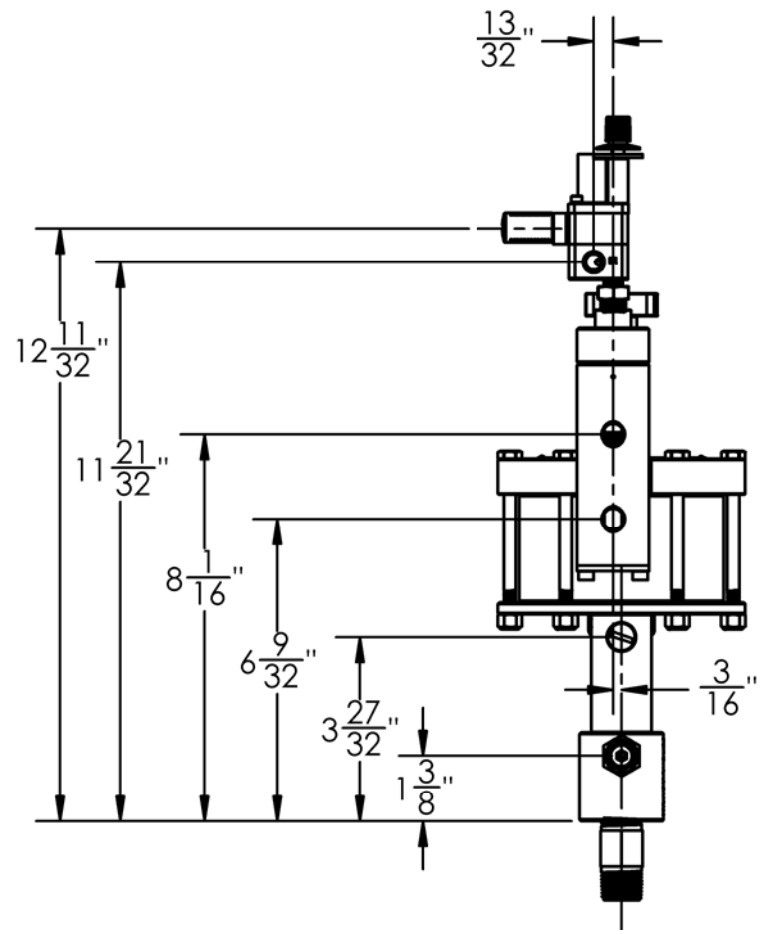
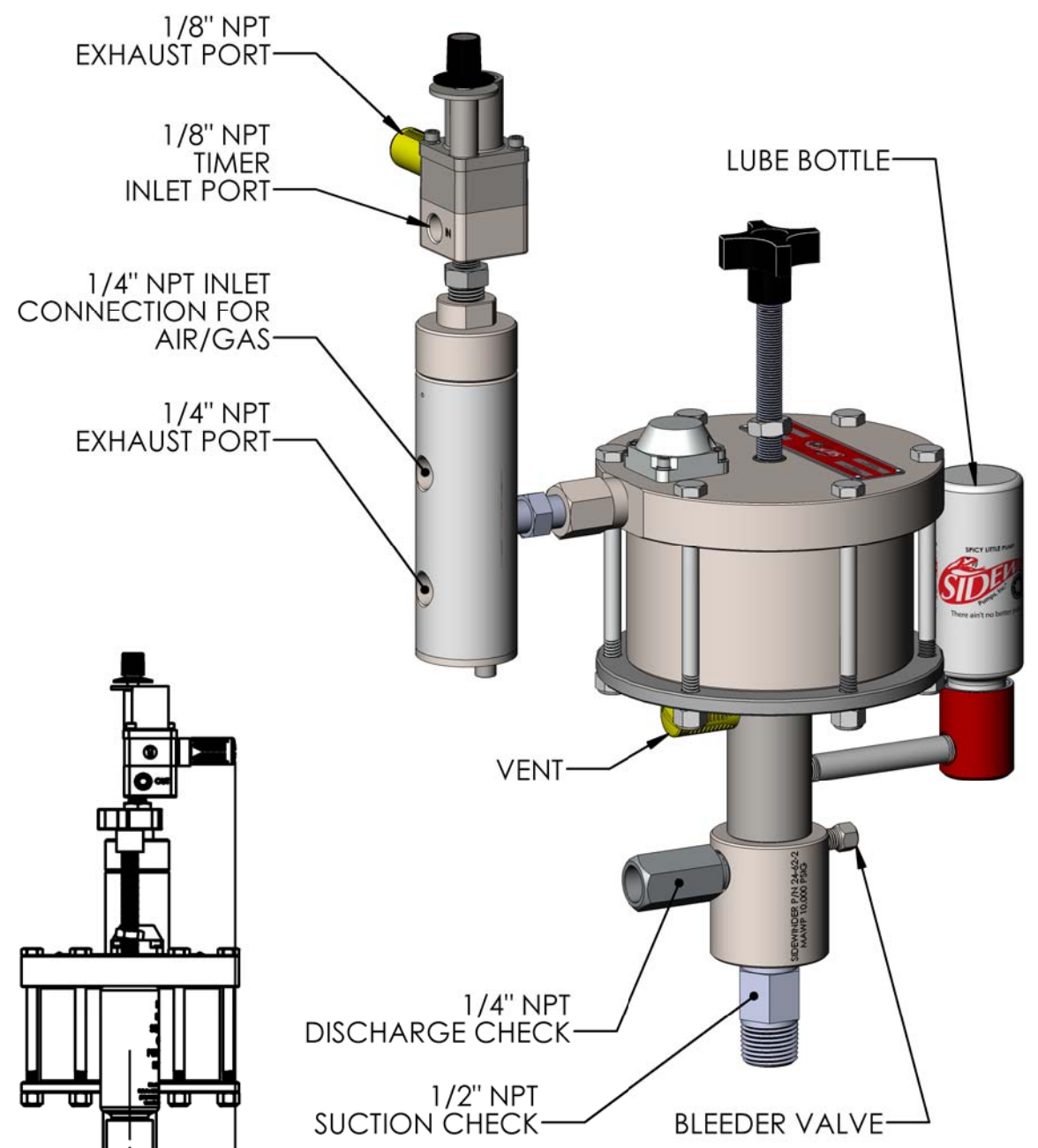
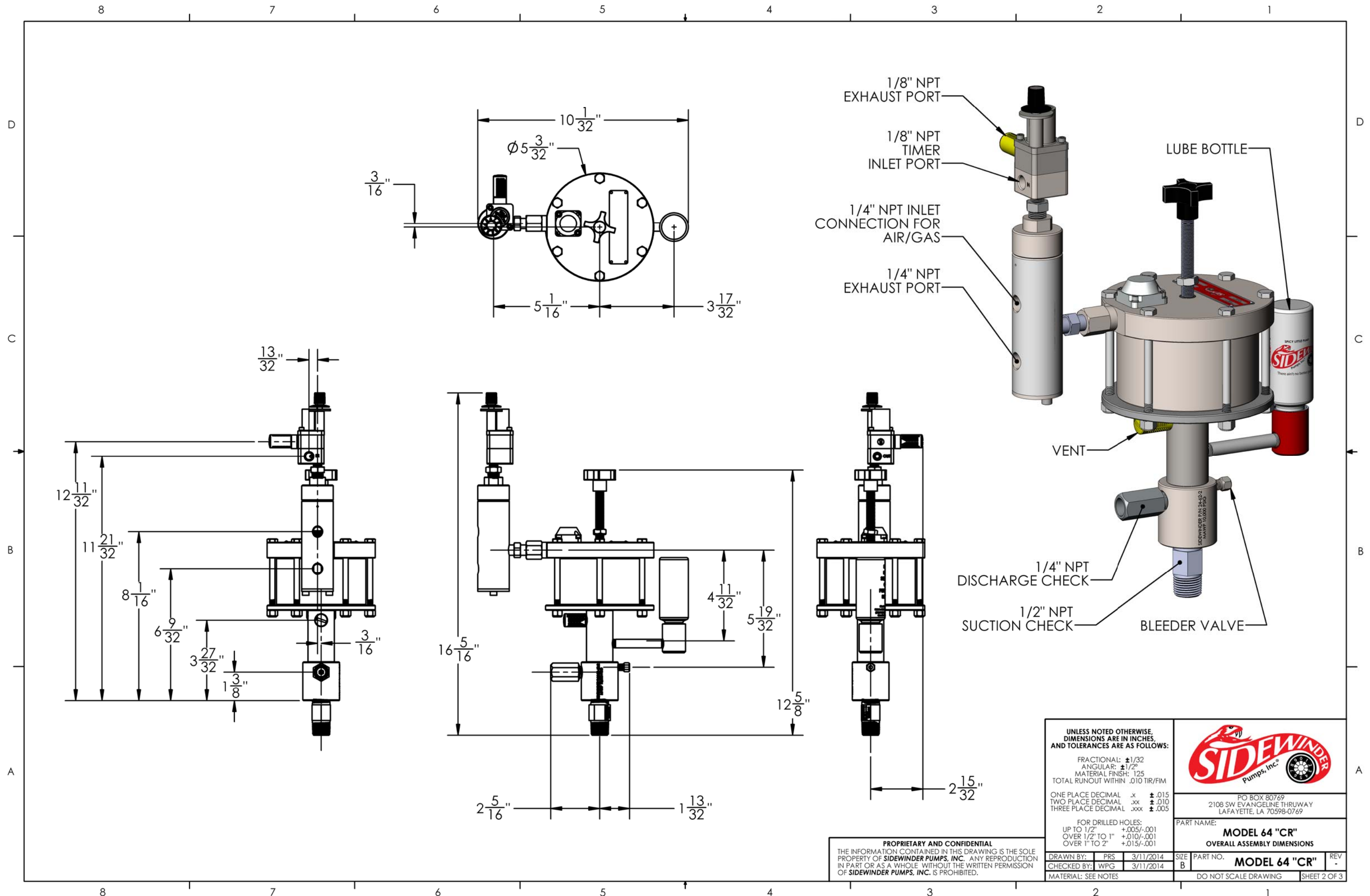
FOR DRILLED HOLES:  
 UP TO 1/2" +.005/-001  
 OVER 1/2" TO 1" +.010/-001  
 OVER 1" TO 2" +.015/-001

**SIDEWINDER Pumps, Inc.**  
 PO BOX 80769  
 2108 SW EVANGELINE THRUWAY  
 LAFAYETTE, LA 70598-0769

PART NAME:  
**MODEL 44 "CR"**  
 OVERALL ASSEMBLY DIMENSIONS


DRAWN BY: PRS	3/11/2014	SIZE B	PART NO. MODEL 44 "CR"	REV -
CHECKED BY: WPG	3/11/2014	DO NOT SCALE DRAWING		SHEET 1 OF 3

**PROPRIETARY AND CONFIDENTIAL**  
 THE INFORMATION CONTAINED IN THIS DRAWING IS THE SOLE PROPERTY OF **SIDEWINDER PUMPS, INC.** ANY REPRODUCTION IN PART OR AS A WHOLE WITHOUT THE WRITTEN PERMISSION OF **SIDEWINDER PUMPS, INC.** IS PROHIBITED.



**PROPRIETARY AND CONFIDENTIAL**  
 THE INFORMATION CONTAINED IN THIS DRAWING IS THE SOLE PROPERTY OF **SIDEWINDER PUMPS, INC.** ANY REPRODUCTION IN PART OR AS A WHOLE WITHOUT THE WRITTEN PERMISSION OF **SIDEWINDER PUMPS, INC.** IS PROHIBITED.

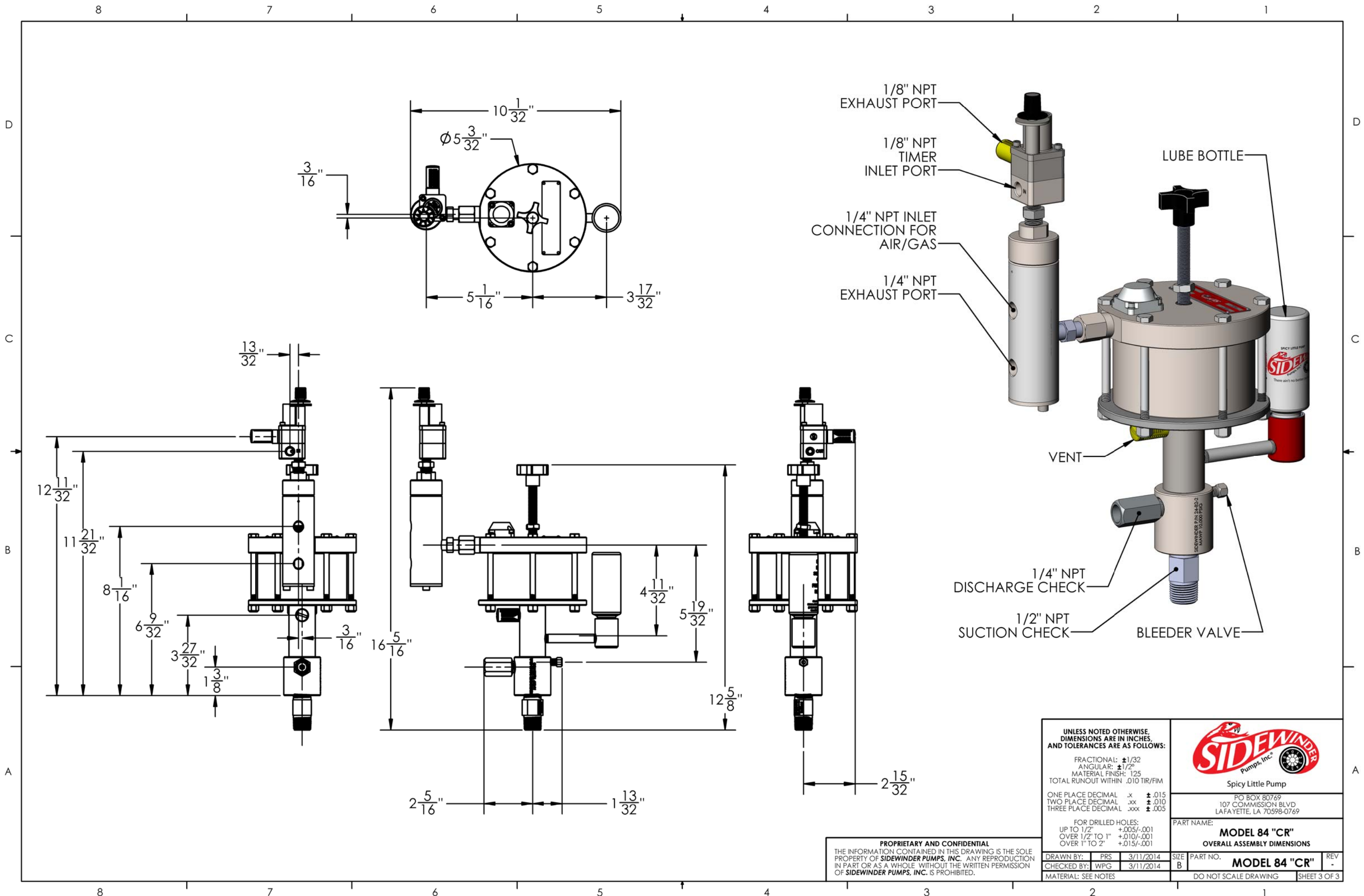
UNLESS NOTED OTHERWISE, DIMENSIONS ARE IN INCHES, AND TOLERANCES ARE AS FOLLOWS:  
 FRACTIONAL: ±1/32  
 ANGULAR: ±1/2°  
 MATERIAL FINISH: 125  
 TOTAL RUNOUT WITHIN .010 TIR/FIM  
 ONE PLACE DECIMAL .x ±.015  
 TWO PLACE DECIMAL .xx ±.010  
 THREE PLACE DECIMAL .xxx ±.005  
 FOR DRILLED HOLES:  
 UP TO 1/2" +.005/-001  
 OVER 1/2" TO 1" +.010/-001  
 OVER 1" TO 2" +.015/-001



PO BOX 80769  
 2108 SW EVANGELINE THRUWAY  
 LAFAYETTE, LA 70598-0769

PART NAME:  
**MODEL 64 "CR"**  
 OVERALL ASSEMBLY DIMENSIONS

DRAWN BY: PRS	3/11/2014	SIZE B	PART NO. <b>MODEL 64 "CR"</b>	REV -
CHECKED BY: WPG	3/11/2014	DO NOT SCALE DRAWING		SHEET 2 OF 3



UNLESS NOTED OTHERWISE, DIMENSIONS ARE IN INCHES, AND TOLERANCES ARE AS FOLLOWS:

FRACTIONAL: ±1/32  
 ANGULAR: ±1/2°  
 MATERIAL FINISH: 125  
 TOTAL RUNOUT WITHIN .010 TIR/FIM  
 ONE PLACE DECIMAL .x ±.015  
 TWO PLACE DECIMAL .xx ±.010  
 THREE PLACE DECIMAL .xxx ±.005

FOR DRILLED HOLES:  
 UP TO 1/2" +.005/-001  
 OVER 1/2" TO 1" +.010/-001  
 OVER 1" TO 2" +.015/-001



PO BOX 80769  
 107 COMMISSION BLVD  
 LAFAYETTE, LA 70598-0769

PART NAME:  
**MODEL 84 "CR"**  
 OVERALL ASSEMBLY DIMENSIONS

**PROPRIETARY AND CONFIDENTIAL**  
 THE INFORMATION CONTAINED IN THIS DRAWING IS THE SOLE PROPERTY OF SIDEWINDER PUMPS, INC. ANY REPRODUCTION IN PART OR AS A WHOLE WITHOUT THE WRITTEN PERMISSION OF SIDEWINDER PUMPS, INC. IS PROHIBITED.

DRAWN BY: PRS 3/11/2014  
 CHECKED BY: WPG 3/11/2014  
 MATERIAL: SEE NOTES

SIZE B PART NO. **MODEL 84 "CR"** REV -  
 DO NOT SCALE DRAWING SHEET 3 OF 3