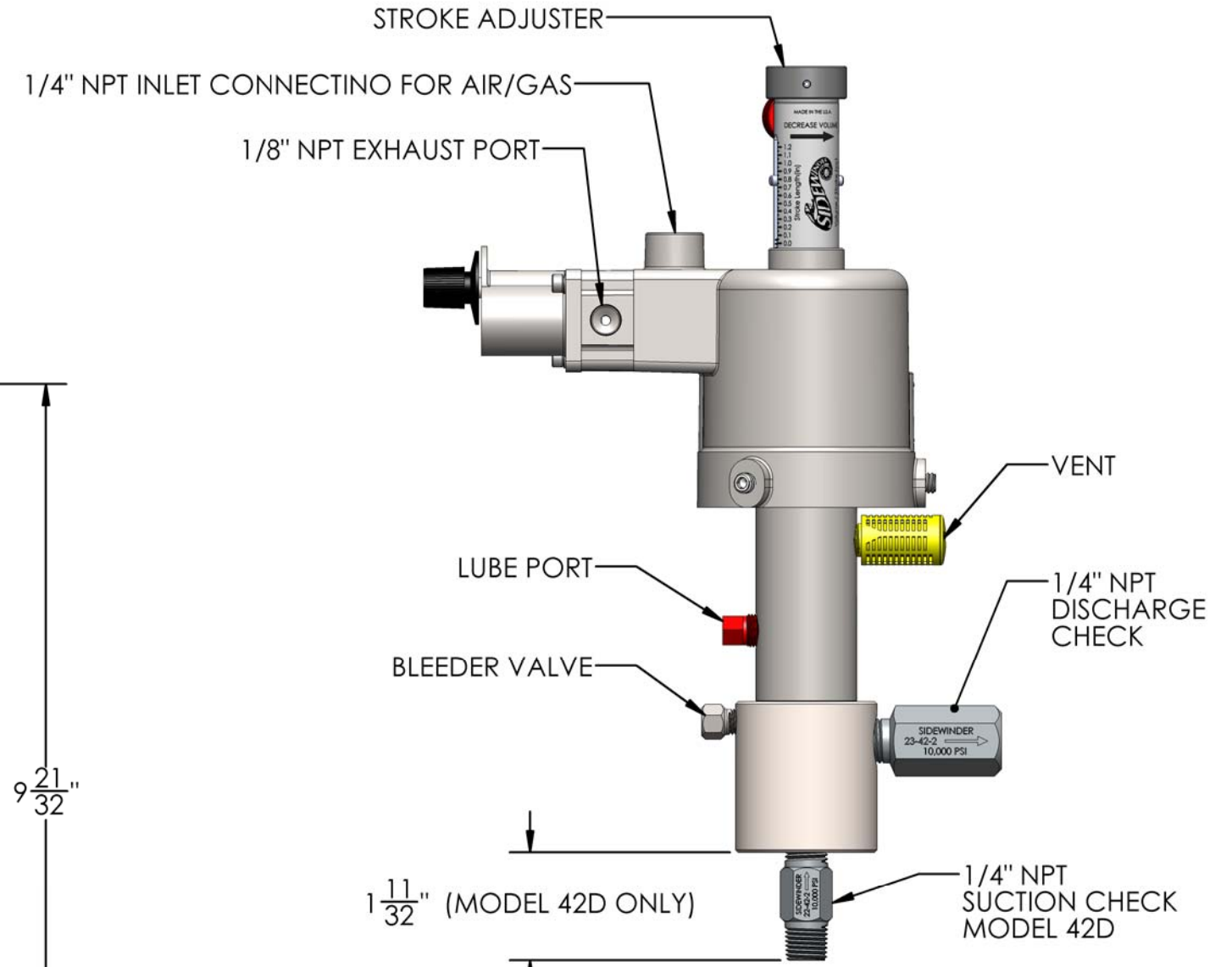
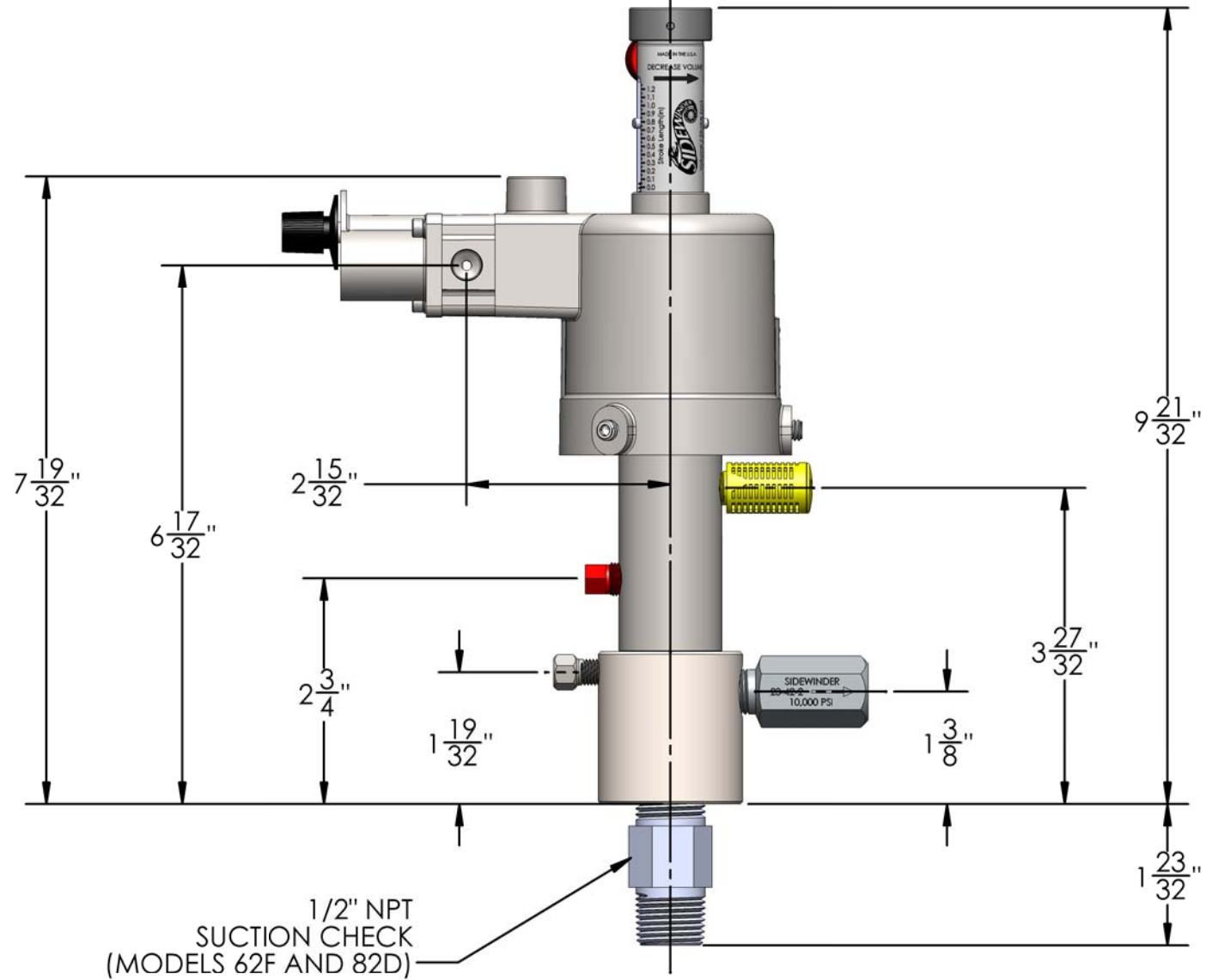
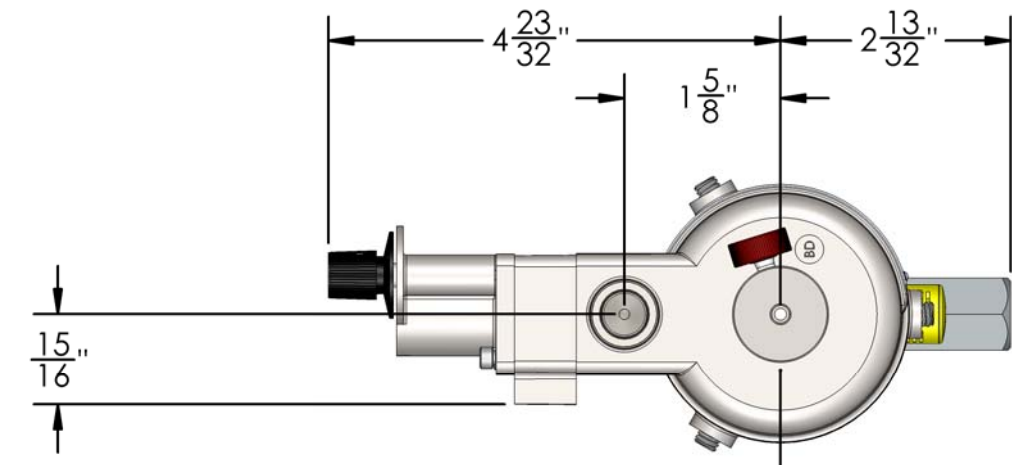


REVISIONS		
REV.	DESCRIPTION	DATE
-	DRAWN IN SOLIDWORKS	11/3/15B1



UNLESS NOTED OTHERWISE, DIMENSIONS ARE IN INCHES, AND TOLERANCES ARE AS FOLLOWS:

FRACTIONAL: ±1/32
 ANGULAR: ±1/2°
 MATERIAL FINISH: 125
 TOTAL RUNOUT WITHIN .010 TIR/FIM

ONE PLACE DECIMAL .x ±.015
 TWO PLACE DECIMAL .xx ±.010
 THREE PLACE DECIMAL .xxx ±.005

FOR DRILLED HOLES:
 UP TO 1/2" +.005/-001
 OVER 1/2" TO 1" +.010/-001
 OVER 1" TO 2" +.015/-001

Spicy Little Pump

PO BOX 80769
 107 COMMISSION BLVD
 LAFAYETTE, LA 70598-0769

PART NAME:
""MODELS 42/62/82 "E" OVERALL ASSEMBLY DIMENSIONS

DRAWN BY: PRS	DATE: 11/3/2015	SIZE: B	PART NO. 42/62/82 "E"	REV: -
CHECKED BY:	DATE: 3/10/2014	DO NOT SCALE DRAWING SHEET 1 OF 1		

PROPRIETARY AND CONFIDENTIAL

THE INFORMATION CONTAINED IN THIS DRAWING IS THE SOLE PROPERTY OF **SIDEWINDER PUMPS, INC.** ANY REPRODUCTION IN PART OR AS A WHOLE WITHOUT THE WRITTEN PERMISSION OF **SIDEWINDER PUMPS, INC.** IS PROHIBITED.