



40G / 60H / 80G
Models

P.O. Box 80769 • Lafayette, LA 70598-0769 • (337) 235-9838 • FAX (337) 235-9852 • www.sidewinderpumps.com

Pneumatic Powered - Plunger Pumps

Suggested Installation & Operating Instructions for Sidewinder Pumps

See Suggested Pump Installation and System Set Up Diagram (inside) and Pump Breakdown (inside)

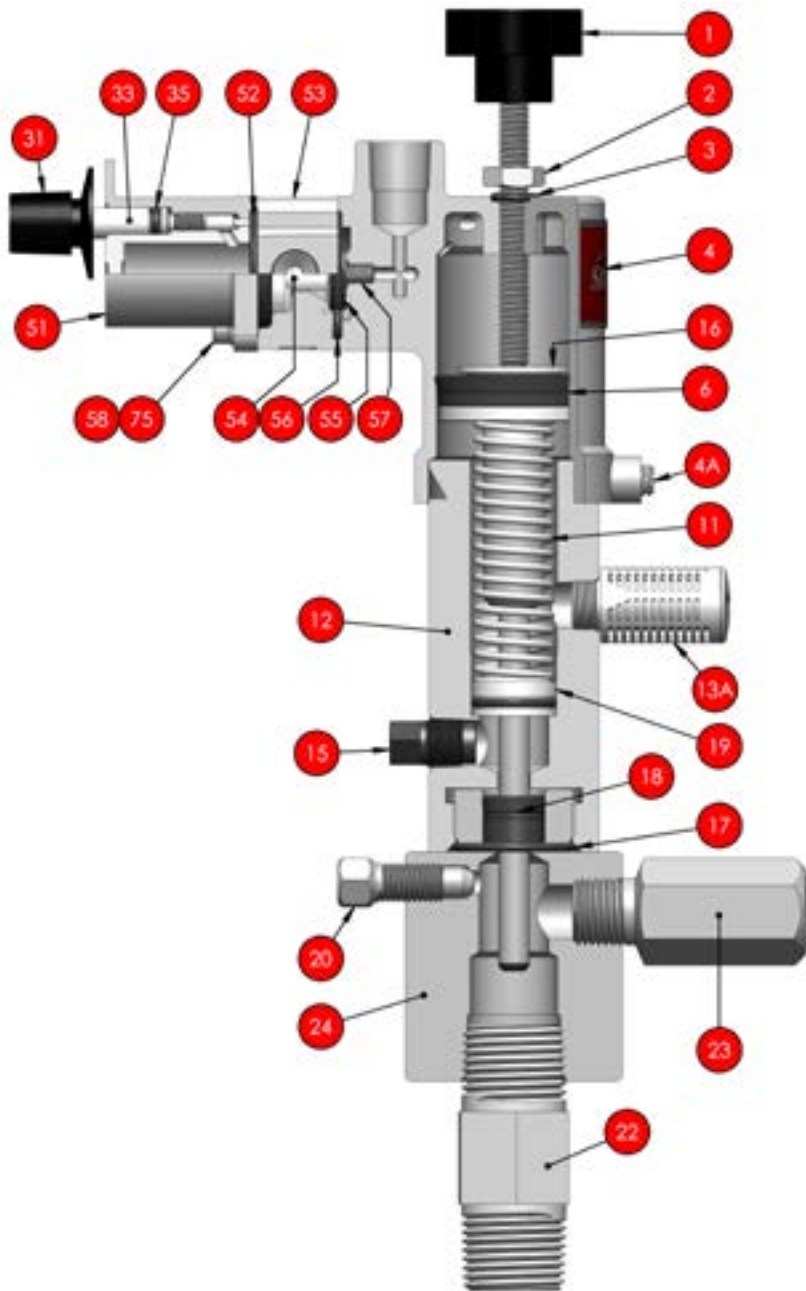
- 1) When installing pump, manufacturer recommends not using poly tubing, copper tubing, or seamed tubing as a discharge line. Manufacturer recommends using 316 SS seamless tubing rated for maximum discharge pressure of the specific pump model being used. Use of incorrect material may result in discharge line failure leading to personal injury, death, and/or compromise to intended injection objectives. Good engineering practices and the manufacturer recommend placement of a properly sized pressure relief valve on pump discharge line for safety purposes.
- 2) Install pump setting gauge (#9) onto chemical tank (#7), with an isolation ball valve (#8) between tank and gauge.
- 3) Install pump with suction filter (#11) with isolation ball valve (#8) between pump and pump setting gauge (#9).
- 4) A regulator (#2) should be installed in the air/gas supply line to provide correct supply of air/gas pressure. Connect air/gas supply line from regulator (#2) to the pump supply inlet using 1/4" NPT tee with 0-150 PSI gauge. An isolation ball valve (#5) should be installed between air/gas regulator (#2) and the pump. Use minimum of 3/8 inch diameter tubing (#3) with a maximum distance of 10 feet from regulator to the pump. If longer distance is required or multiple pumps are run off same supply line, a volume bottle (#4) should be installed within 5 feet of the pump(s).
- 5) If the air/gas supply is "wet", a volume bottle (#4) with a drain and filter should be installed in between the regulator (#2) and pump(s) as close as possible to the pump(s). If the air/gas supply is extremely "wet" a scrubber (#1) should be installed on the main flow line with regulator taking its supply from the scrubber.
- 6) Set the regulator (#2) to required pressure. See Pump Selection Guide and Performance Chart
- 7) Connect discharge line to the 1/4 inch NPT discharge check valve. For good safety practice an in-line check valve (Sidewinder part number LC-4S) (#10) should be installed on the discharge line at the injection point.
- 8) If natural gas is used as the supply gas, pump exhaust should be vented via the 1/8" NPT threaded port on the control valve body (#53) to safe disposal area or non pressurized disposal device
- 9) Open bleeder valve (#20 Pump Breakdown) until air removed from pump chamber. Isolate pump setting gauge (#9) from tank. Open air/gas isolation valve (#5) to pump. Run pump following directions on pump setting gauge to determine flow rate.
- 10) Adjust speed of pump by rotating dial (#31 Pump Breakdown), clockwise to decrease number of strokes per minute, counter clockwise to increase number of strokes per minute. Further volume control can be set by varying the length of the piston/plunger stroke with the stroke adjuster (#1 Pump Breakdown).
- 11) Reset isolation ball valves (#8) so pump takes chemical direct from tank (#7).

Pump Repair or Emergency Shut Down

- 1) To perform repairs to the pump or to the pump setting gauge, close the air/gas supply isolation ball valve (#5), close both isolation ball valves (#8) between tank (#7) & gauge (#9) and pump & gauge (#9). Remove component(s) to be repaired. After repair, reinstall component(s). Open isolation ball valve (#8) between tank (#7) and gauge (#9), check for leaks. Open isolation ball valve (#8) between pump and gauge (#9), check for leaks. Perform steps 8 thru 10 above.
- 2) In event of an emergency the following steps are to be done in the following order
 - i) Close air/gas supply isolation ball valve (#5)
 - ii) Close isolation ball valve #8 between pump setting gauge (#9) and chemical tank (#7)
 - iii) Close isolation ball valve #8 between pump and pump setting gauge (#9)

01-24-17
This document replaces any & all documents prior to this date.

Parts List / Model 40, 80 – ‘G’ Series 60 - ‘H’ Series



Item No.	Quantity Required	Part Description	Part Number		
			Model 40G	Model 60H	Model 80G
1	1	Stroke Adjuster	1-40-C	1-40-C	1-40-C
2	1	Locknut-Stroke Adjuster	2-40	2-40	2-40
3*#	1	Seal-Stroke Adjuster	3-40	3-40	3-40
4	1	Powerhead	4-40-2	4-40-2	4-40-2
4A	3	Lockscrews	4A-42-B	4A-42-B	4A-42-B
6*#	1	U-Cup (Viton available-see notes)	6-40	6-40	6-40
11 ^b *#	1	Return Spring (Spring options-see notes)	11-42	11-42	11-42
12	1	Mounting Tube	12C-40	12C-60	12C-80
13A	2	Vent	13A-42	13A-42	13A-42
15	1	Body Plug	15-Plug	15-Plug	15-Plug
16*	1	Piston-Plunger (17-4 SS)	16-40	16-60	16-80
		Piston-Plunger (316 SS)	16-40-2	16-60-2	16-80-2
		Piston-Plunger (440C SS)	16-40-3	16-60-3	16-80-3
		Piston-Plunger (Ceramic)	16-40-4	16-60-4	16-80-4
		Piston-Plunger (Hastelloy)	16-40-5	16-60-5	16-80-5
		Piston-Plunger (Titanium)	16-40-6	16-60-6	16-80-6
		Piston-Plunger (440C SS w/ Chrome Plating)	16-40-7	16-60-7	16-80-7
		Piston-Plunger (440C SS w/ Electroless Nickel Plating)	16-40-8	16-60-8	16-80-8
		Customer Specified Special	16-40-9	16-60-9	16-80-9
17*#	1	O-Ring Mounting Tube	17-42	17-42	17-42
18*#	1	Plunger Seal (Teflon Carbon Filled Graphite Uniseal)	18-42	18-62G	18-82
		Plunger Seal (Techno Uniseal)	18-42-1	18-62G-1	18-82-1
		Plunger Seal (Viton O-Ring)	18-42-2	18-62G-2	18-82-2
		Plunger Seal (Buna O-Ring)	18-42-3	18-62G-3	18-82-3
		Plunger Seal (Virgin Teflon Uniseal)	18-42-4	18-62G-4	18-82-4
		Plunger Seal (Virgin Teflon Uniseal w/ Buna Insert)	18-42-4B	18-62G-4B	18-82-4B
		Plunger Seal (Virgin Teflon Uniseal w/ Viton Insert)	18-42-4V	18-62G-4V	18-82-4V
		Plunger Seal (Chemraz O-Ring)	18-42-5	18-62G-5	18-82-5
		Plunger Seal (Hitec O-Ring)	18-42-6	18-62G-6	18-82-6
		Plunger Seal (Virgin Teflon O-Ring)	18-42-7	N/A	18-82-7
		Plunger Seal (Polyblend Uniseal)	18-42-8	18-62G-8	18-82-8
		Customer Specified Material	18-42-9	18-62G-9	18-82-9
		Plunger Seal (Teflon Graphite Uniseal w/ Viton O-Ring Insert)	18-42-V	18-62G-V	18-82-V

Sidewinder Pumps, Inc. asserts Trademark rights in and to the distinctive appearance of Sidewinder's line of solar chemical pumps.
Sidewinder Pumps, Inc. asserts Trademark rights in and to the distinctive appearance of Sidewinder model 40/60/80 & 42/62/82 pumps.

Sidewinder Pump Model Number Chart

*Fill in boxes below to determine
Sidewinder Pump Size & Material Requirements*

Pump Size		Materials Required																																																																		
<div style="display: flex; justify-content: space-around; margin-bottom: 10px;"> <div style="border: 1px solid black; width: 30px; height: 30px;"></div> <div style="border: 1px solid black; width: 30px; height: 30px;"></div> <div style="border: 1px solid black; width: 30px; height: 30px;"></div> </div> <p>Plunger Size</p> <table style="width: 100%; border-collapse: collapse;"> <tr><td>04</td><td>0.250"</td></tr> <tr><td>06</td><td>0.375"</td></tr> <tr><td>08</td><td>0.500"</td></tr> <tr><td>16</td><td>1.000"</td></tr> </table> <div style="display: flex; justify-content: space-around; margin-top: 10px;"> <div style="width: 45%;"> <p>Piston Size</p> <table style="width: 100%; border-collapse: collapse;"> <tr><td>0</td><td>1.25"</td></tr> <tr><td>2</td><td>2.25"</td></tr> <tr><td>4</td><td>4.00"</td></tr> </table> </div> <div style="width: 45%;"> <p>Production Series*</p> <table style="width: 100%; border-collapse: collapse;"> <tr><td>F,G,H</td></tr> <tr><td>C,D,F</td></tr> <tr><td>C,D</td></tr> </table> </div> </div> <div style="margin-top: 10px;"> <p>Plunger Material</p> <table style="width: 100%; border-collapse: collapse;"> <tr><td>0</td><td>17-4 SS (Standard)</td></tr> <tr><td>2</td><td>316 SS</td></tr> <tr><td>3</td><td>440C SS</td></tr> <tr><td>4</td><td>Ceramic</td></tr> <tr><td>5</td><td>Hastelloy</td></tr> <tr><td>6</td><td>Titanium</td></tr> <tr><td>7</td><td>Chrome Plated Stainless Steel</td></tr> <tr><td>8</td><td>Electroless Nickel Plated Stainless Steel</td></tr> </table> </div>	04	0.250"	06	0.375"	08	0.500"	16	1.000"	0	1.25"	2	2.25"	4	4.00"	F,G,H	C,D,F	C,D	0	17-4 SS (Standard)	2	316 SS	3	440C SS	4	Ceramic	5	Hastelloy	6	Titanium	7	Chrome Plated Stainless Steel	8	Electroless Nickel Plated Stainless Steel	<div style="display: flex; justify-content: space-around; margin-bottom: 10px;"> <div style="border: 1px solid black; width: 30px; height: 30px;"></div> <div style="border: 1px solid black; width: 30px; height: 30px;"></div> <div style="border: 1px solid black; width: 30px; height: 30px;"></div> </div> <p>Check Valve & Body Material</p> <table style="width: 100%; border-collapse: collapse;"> <tr><td>316 SS (Standard)</td><td style="text-align: right;">2</td></tr> <tr><td>Hastelloy</td><td style="text-align: right;">5</td></tr> <tr><td>Titanium</td><td style="text-align: right;">6</td></tr> </table> <div style="margin-top: 10px;"> <p>Plunger Packing</p> <table style="width: 100%; border-collapse: collapse;"> <tr><td>0</td><td>Teflon Graphite Uniseal</td></tr> <tr><td>1</td><td>Techno Uniseal (Polyimede)</td></tr> <tr><td>2</td><td>Viton O-Ring</td></tr> <tr><td>3</td><td>Buna O-Ring</td></tr> <tr><td>4</td><td>Teflon Uniseal</td></tr> <tr><td>4B</td><td>Teflon Uniseal w/ Buna O-Ring Insert</td></tr> <tr><td>4V</td><td>Teflon Uniseal w/ Viton O-Ring Insert</td></tr> <tr><td>5</td><td>Chemraz O-Ring</td></tr> <tr><td>6</td><td>Hitec O-Ring (Atlas)</td></tr> <tr><td>7</td><td>Virgin Teflon O-Ring</td></tr> <tr><td>8</td><td>Polyblend Uniseal</td></tr> <tr><td>9</td><td>Special</td></tr> <tr><td>V</td><td>Teflon Graphite Uniseal w/ Viton O-Ring Insert</td></tr> </table> </div>	316 SS (Standard)	2	Hastelloy	5	Titanium	6	0	Teflon Graphite Uniseal	1	Techno Uniseal (Polyimede)	2	Viton O-Ring	3	Buna O-Ring	4	Teflon Uniseal	4B	Teflon Uniseal w/ Buna O-Ring Insert	4V	Teflon Uniseal w/ Viton O-Ring Insert	5	Chemraz O-Ring	6	Hitec O-Ring (Atlas)	7	Virgin Teflon O-Ring	8	Polyblend Uniseal	9	Special	V	Teflon Graphite Uniseal w/ Viton O-Ring Insert		
04	0.250"																																																																			
06	0.375"																																																																			
08	0.500"																																																																			
16	1.000"																																																																			
0	1.25"																																																																			
2	2.25"																																																																			
4	4.00"																																																																			
F,G,H																																																																				
C,D,F																																																																				
C,D																																																																				
0	17-4 SS (Standard)																																																																			
2	316 SS																																																																			
3	440C SS																																																																			
4	Ceramic																																																																			
5	Hastelloy																																																																			
6	Titanium																																																																			
7	Chrome Plated Stainless Steel																																																																			
8	Electroless Nickel Plated Stainless Steel																																																																			
316 SS (Standard)	2																																																																			
Hastelloy	5																																																																			
Titanium	6																																																																			
0	Teflon Graphite Uniseal																																																																			
1	Techno Uniseal (Polyimede)																																																																			
2	Viton O-Ring																																																																			
3	Buna O-Ring																																																																			
4	Teflon Uniseal																																																																			
4B	Teflon Uniseal w/ Buna O-Ring Insert																																																																			
4V	Teflon Uniseal w/ Viton O-Ring Insert																																																																			
5	Chemraz O-Ring																																																																			
6	Hitec O-Ring (Atlas)																																																																			
7	Virgin Teflon O-Ring																																																																			
8	Polyblend Uniseal																																																																			
9	Special																																																																			
V	Teflon Graphite Uniseal w/ Viton O-Ring Insert																																																																			
<p>Special Options</p> <ul style="list-style-type: none"> 2-Viton Piston U-Cup 4-Ceramic Check Valve Balls MP-Ni Cobalt Moly Return Spring GS-Gas Recovery Model (42D/62F/82D only) 																																																																				

*Production Series-Designates current factory production model.
For explanation of production series, visit our website.

18*#	<i>(Seals Continued)</i>				
	NOTE: O-Ring seals - Model 40 requires (1) O-ring and (2) narrow back up rings (18D-42), Model 60 requires (1) O-ring and (2) narrow back up rings (18D-62G), Model 80 requires (1) O-ring and (2) narrow back up rings (18D-82).				
19*#	1	Lube Seal	19-42-6	19-62-6	19-82-6
20	1	Bleed Valve	20-42-2	20-42-2	20-42-2
22*	1	Suction Check Valve	22-42-2	22-82-2	22-82-2
23*	1	Discharge Check Valve	23-42-2	23-42-2	23-42-2
24	1	Pump Chamber	24-42-2	24-62-2	24-82-2
31	1	Control Knob	31-42	31-42	31-42
33	1	Valve Stem	33-42C	33-42C	33-42C
35**	1	O-Ring Stem	35-42	35-42	35-42
51	1	Control Valve Cover w/ Timer	51T-42C-2	51T-42C-2	51T-42C-2
52**	1	Diaphragm	52-42	52-42	52-42
53	1	Control Valve Body	53-42-2	53-42-2	53-42-2
54**	1	Actuator	54-42	54-42	54-42
55**	1	Poppet	55-42	55-42	55-42
56**	1	Body Seal	56-42	56-42	56-42
57**	1	Spring	57-42	57-42	57-42
58**	2	Mounting Screw	58-42	58-42	58-42
75**	2	Mounting Screw Lockwasher	75-42	75-42	75-42
91*#	1	Piston Grease	91-42	91-42	91-42
Notes					
* Parts included in a pump end repair kit. This kit is designated by a "K" preceding the pump model number. The D and F Series in the Model 40/60/80 use the same Pump End Repair Kit.					
** Parts included in a timer valve repair kit. This part number is KVC-40F for the Model 40, Model 60, and the Model 80 pump.					
# Parts included in Soft Parts Repair Kit. This kit is designated by a "K" preceding the pump model description and the seal identification number. Example: Soft Parts Kit for a model 42C-032 pump would be K42C-3.					
^a Item 6 - Piston U-Cup in Viton - Part # 6-42-2.					
^b Item 11 - Return Spring available in Ni Cobalt Moly - part number # 11-42-MP.					

Theoretical Fluid Volume Pumped

Numbers are approximate; to insure accurate flow rates Sidewinder Pumps recommends installing a Pump Setting Gauge.

Quarts/Day = 1.5 x Strokes/Min. for 1/4" Plunger

Quarts/Day = 3.0 x Strokes/Min. for 3/8" Plunger

Quarts/Day = 6.0 x Strokes/Min. for 1/2" Plunger

At high pump rates, volume per stroke is reduced slightly.

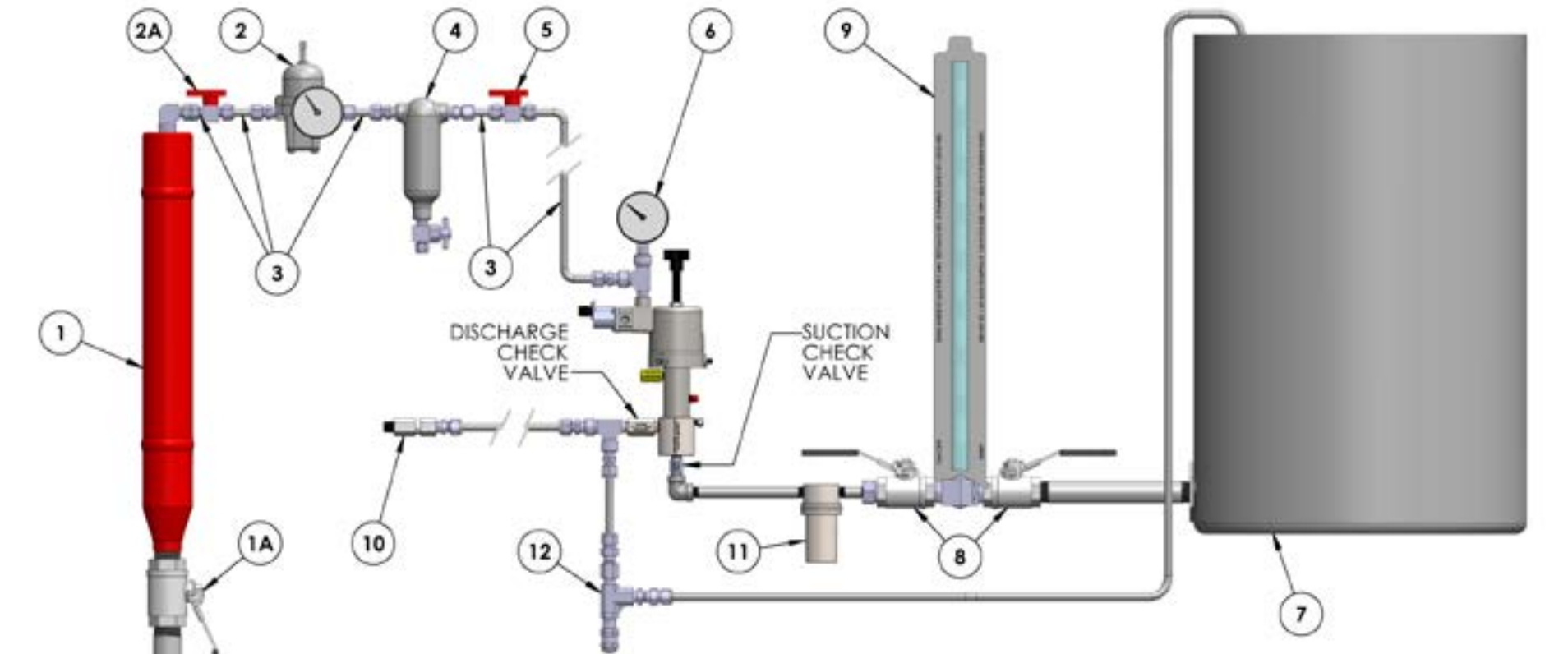
Rule of Thumb:

For 1/4" Plunger, 1 spm = 1.5 Qt/Day • For 3/8" Plunger, 1 spm = 3.0 Qt/Day • For 1/2" Plunger, 1 spm = 6 Qt/Day



Pump Installation and System Set Up

There ain't no better pump



LEGEND

- | | |
|--|---|
| 1) SCRUBBER UNIT INSTALLED ON SUPPLY FLOW LINE | 6) 1/4" TEE AT PUMP SUPPLY INLET WITH PRESSURE GAUGE |
| 1A) BALL VALVE - FLOW LINE | 7) CHEMICAL SUPPLY DRUM / TANK |
| 2) STEP DOWN REGULATOR WITH PRESSURE GAUGE | 8) BALL VALVES - ISOLATION VALVES FOR TANK |
| 2A) BALL VALVE | 9) PUMP SETTING GAUGE |
| 3) SUPPLY LINE 3/8" TUBING | 10) IN-LINE DISCHARGE CHECK VALVE [AT POINT OF ENTRY] |
| 4) VOLUME BOTTLE / DROP OUT TANK WITH DRAIN | 11) IN-LINE SUCTION FILTER |
| 5) BALL VALVE | 12) RELIEF VALVE [SET AT 10% OVER M.O.P.] |

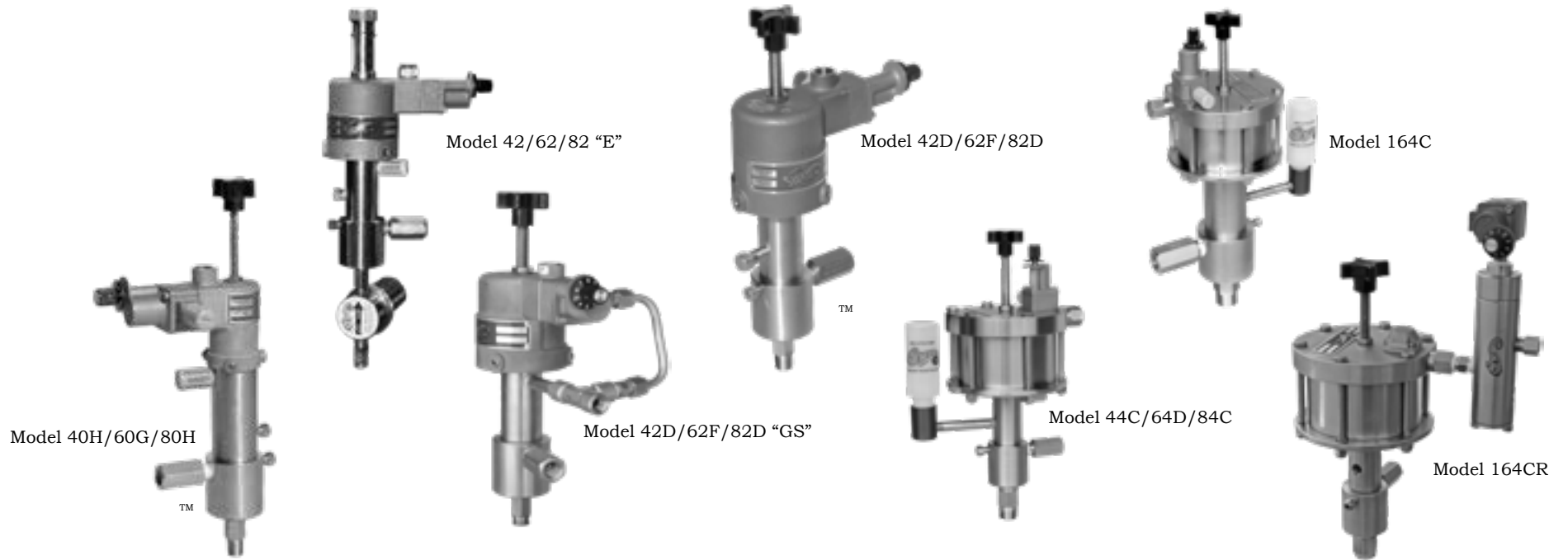
Trouble Shooting The Sidewinder Chemical Pump

Problem	Possible Cause	Action
Control Valve Not Cycling	<ul style="list-style-type: none"> •No supply pressure •Pump speed control closed •Leak in control or valve •Supply gas blowing though to exhaust due to speed control too wide, trash under valve seat or restriction in air/gas supply 	<ul style="list-style-type: none"> •Check gauge on supply line at pump to verify adequate supply pressure...10 to 150 psi •Rotate dial CCW three turns from full in position and then select desired rate. Rotate CW to slow pump rate •Check for leak, pinched or missing seals, broken diaphragm, loose mounting screws, loose lock down nut on stroke adjuster. •Rotate control dial CW to decrease setting. Block exhaust momentarily and then release. Verify supply line size minimum of 3/8" diameter, maximum distance from regulator to pump of 10 feet, check for blockage in supply line and Timer Control. For pumps before serial # 40755 contact manufacturer.
Piston Not Stroking	<ul style="list-style-type: none"> • Return Spring Broken • Lack of grease/lube • Plunger Seal Swollen • Supply line pressure too low to buck process line pressure 	<ul style="list-style-type: none"> • Replace spring (#11) • Clean and lubricate power head and piston u-cup with Piston Lube #91-42. Clean plunger lube chamber and fill with Sidewinder Lube #92-42 on liquid lube models or with Sidewinder Grease #91-42 on grease lube models. Change piston and plunger seals if needed. • Change to different seal material. • Divide process line pressure by amplification ratio (see Performance Chart). Supply pressure must exceed this result. (Standard Sidewinder Control operates from 10 to 150 PSI)
No Fluid Discharge With Timer Control Cycling and Piston Stroking	<ul style="list-style-type: none"> • Air or vapor in pump chamber • Fluid flow to pump blocked by plugged line, closed valve, extremely high viscosity or lack of fluid supply • Suction or Discharge check valve leaking • Discharge line plugged • Chemical Filter Clogged 	<ul style="list-style-type: none"> • Back out on stroke adjuster to desired setting • Open bleeder valve (#20), purge until steady flow of fluid then close bleeder valve. If ambient temperature is close to vapor point of chemical - mount or situate pump on slight angle down from tank. • Provide free flow of fluid to pump suction, fluid level in tank must be above level of bleeder valve (#20) • Put pump setting gauge in test position to determine which valve is leaking. Fluid falling then rising in gauge indicates suction check valve, fluid level remaining constant in gauge indicates discharge check • Clear or replace line • Replace or clean filter element
Premature Seal Failure	<ul style="list-style-type: none"> • Chemical Compatibility • Abrasive Material in Chemical • No seal lubricant or incorrect lube 	<ul style="list-style-type: none"> • Check the plunger first. If plunger is scored, switch to more compatible material such as ceramic and replace with same seal material. If seal then fails change to different seal material. If plunger is OK change seal material. • Install suction filter • Use Sidewinder Lube #92-42 in liquid lube models, use Sidewinder Grease #91-42 in grease lube
Chemical Leakage	<ul style="list-style-type: none"> • Damaged or leaking suction line, discharge line or seal failure 	<ul style="list-style-type: none"> • Close air/gas supply isolation ball valve #5 • Close isolation ball valve #8 between pump setting gauge #9 and chemical tank #7 • Close isolation ball valve #8 between pump and pump setting gauge #9 • Close isolation ball valve between tee (#4H) and exhaust collection point
Air/Gas Supply leakage	<ul style="list-style-type: none"> • Damaged or leaking Air/Gas Supply line 	<ul style="list-style-type: none"> • Close air/gas supply isolation ball valve #5 • Close isolation ball valve #8 between pump setting gauge #9 and chemical tank #7 • Close isolation ball valve #8 between pump and pump setting gauge #9 • Close isolation ball valve between tee (#4H) and exhaust collection point

NOTE: When performing repairs follow suggested procedures as described in Pump Repair or Emergency Shut Down section

NOTE: In event of emergency shut down follow suggested procedures as described in Pump Repair or Emergency Shut Down section

NOTE: Item numbers referenced are in the Suggested Pump Installation and System Set Up Diagram and Pump Breakdown



Pump Selection Guide & Performance Chart

Model Number	Plunger Size	Piston Size	Amplification Chart	Supply Pressure PSI	Discharge Pressure PSI(a)	Maximum Full Strokes Per Minute	Output Volume Qts./Day(b)
40	1/4"	1.25"	25:1	15 to 150	0 to 3,500	60	0 to 90
42	1/4"	2.25"	80:1	10 to 150	0 to 10,000	55	0 to 70
44	1/4"	4"	240:1	10 to 45	0 to 10,000	35	0 to 30
44CR	1/4"	4"	240:1	10 to 45	0 to 10,000	55	0 to 50
60	3/8"	1.25"	11:1	15 to 150	0 to 1,600	60	0 to 200
62	3/8"	2.25"	36:1	10 to 150	0 to 5,400	55	0 to 155
64	3/8"	4"	110:1	10 to 95	0 to 10,000	30	0 to 67
64CR	3/8"	4"	110:1	10 to 95	0 to 10,000	55	0 to 122
80	1/2"	1.25"	6.25:1	15 to 150	0 to 935	60	0 to 360
82	1/2"	2.25"	20:1	10 to 150	0 to 3,000	55	0 to 275
84	1/2"	4"	60:1	10 to 150	0 to 9,000	30	0 to 120
84CR	1/2"	4"	60:1	10 to 150	0 to 9,000	55	0 to 220
164	1"	4"	16:1	10 to 150	0 to 2,400	40	0 to 680
164CR	1"	4"	16:1	10 to 150	0 to 2,400	55	0 to 935

For information on Plunger Material & Plunger Packing Material, see Sidewinder Pump Model Number Chart inside of this brochure.

(a) 1 psig = 0.0703 kg/sq. cm • (b) 1 quart = 0.946 liters

www.sidewinderpumps.com