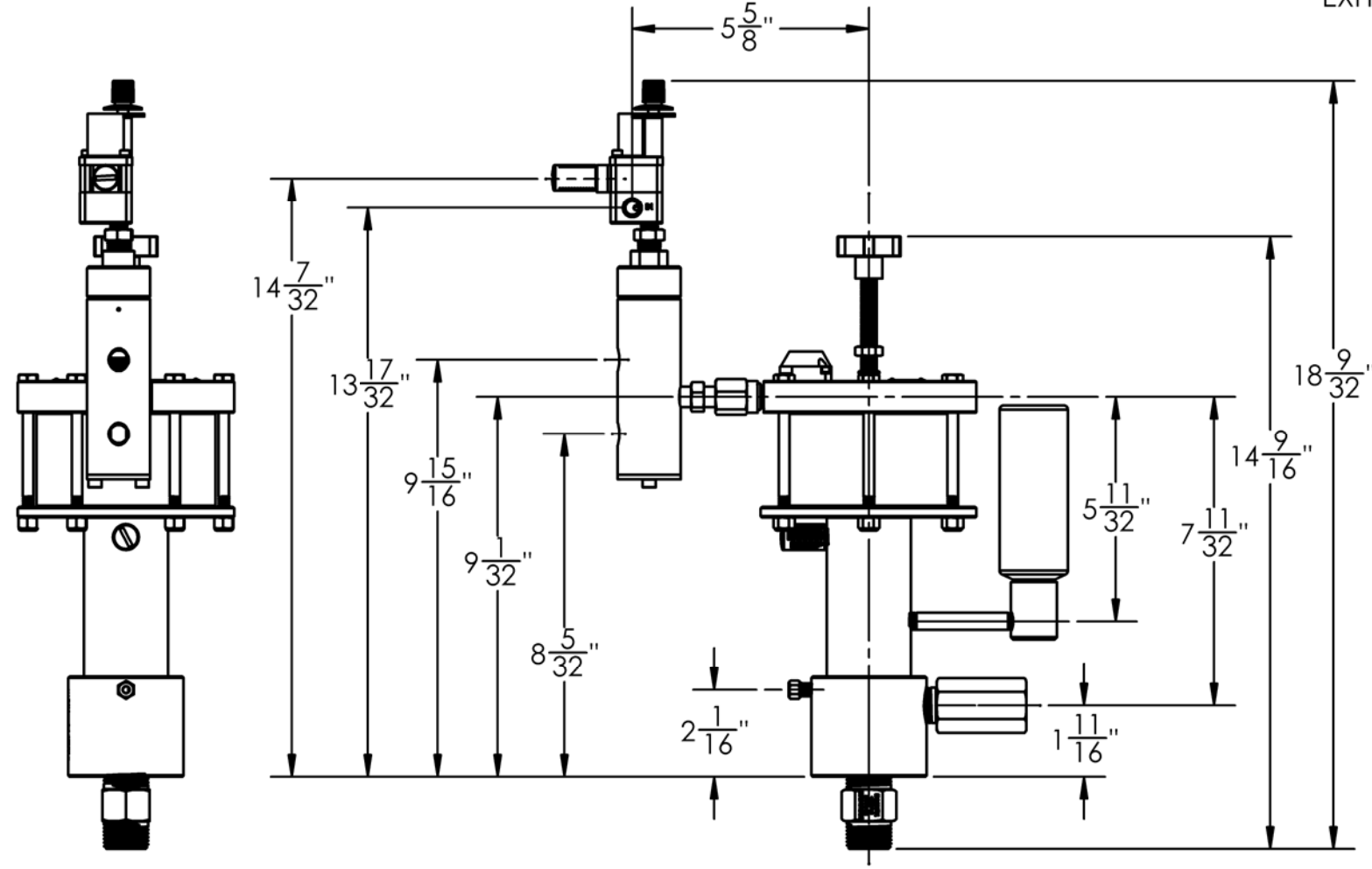
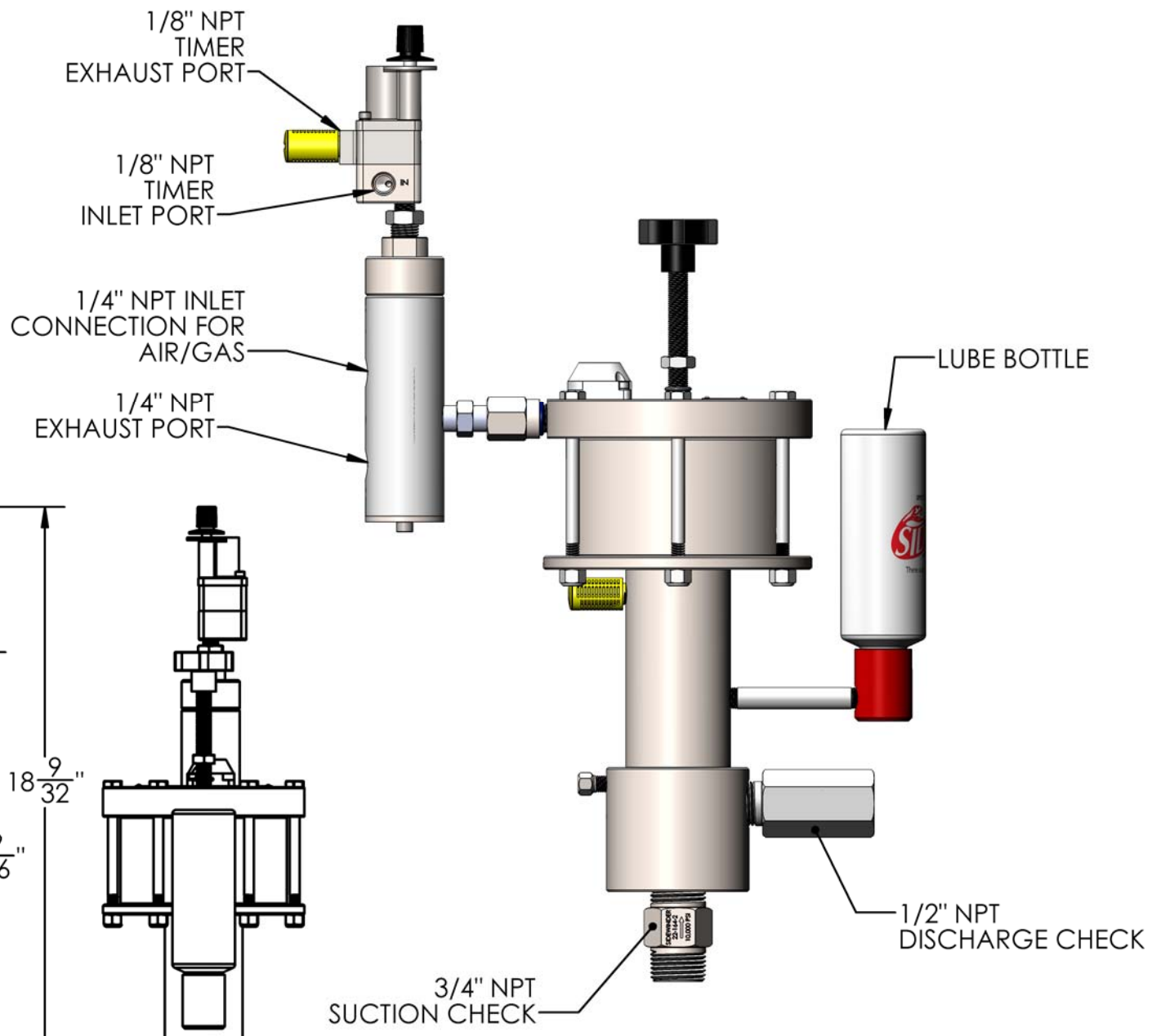
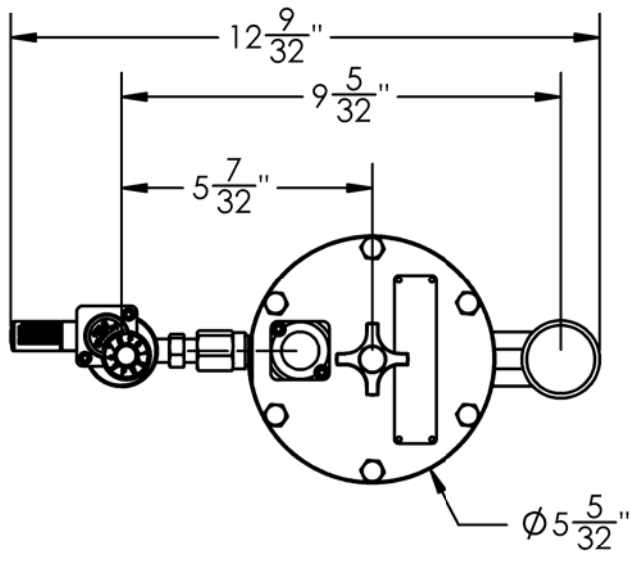


REV.	DESCRIPTION	DATE
-	initial release	3/6/15



UNLESS NOTED OTHERWISE, DIMENSIONS ARE IN INCHES, AND TOLERANCES ARE AS FOLLOWS:

FRACTIONAL: ±1/32  
 ANGULAR: ±1/2°  
 MATERIAL FINISH: 125  
 TOTAL RUNOUT WITHIN .010 TIR/FIM

ONE PLACE DECIMAL .x ±.015  
 TWO PLACE DECIMAL .xx ±.010  
 THREE PLACE DECIMAL .xxx ±.005

FOR DRILLED HOLES:  
 UP TO 1/2" +.005/-001  
 OVER 1/2" TO 1" +.010/-001  
 OVER 1" TO 2" +.015/-001

Spicy Little Pump

PO BOX 80769  
 107 COMMISSION BLVD  
 LAFAYETTE, LA 70598-0769

PART NAME:  
**MODEL 164 "CR"**  
 OVERALL ASSEMBLY

DRAWN BY: PRS	3/11/2014	SIZE B	PART NO. MODEL 164 "CR"	REV 1
CHECKED BY: WPG	3/11/2014	DO NOT SCALE DRAWING		SHEET 1 OF 1

**PROPRIETARY AND CONFIDENTIAL**  
 THE INFORMATION CONTAINED IN THIS DRAWING IS THE SOLE PROPERTY OF **SIDEWINDER PUMPS, INC.** ANY REPRODUCTION IN PART OR AS A WHOLE WITHOUT THE WRITTEN PERMISSION OF **SIDEWINDER PUMPS, INC.** IS PROHIBITED.