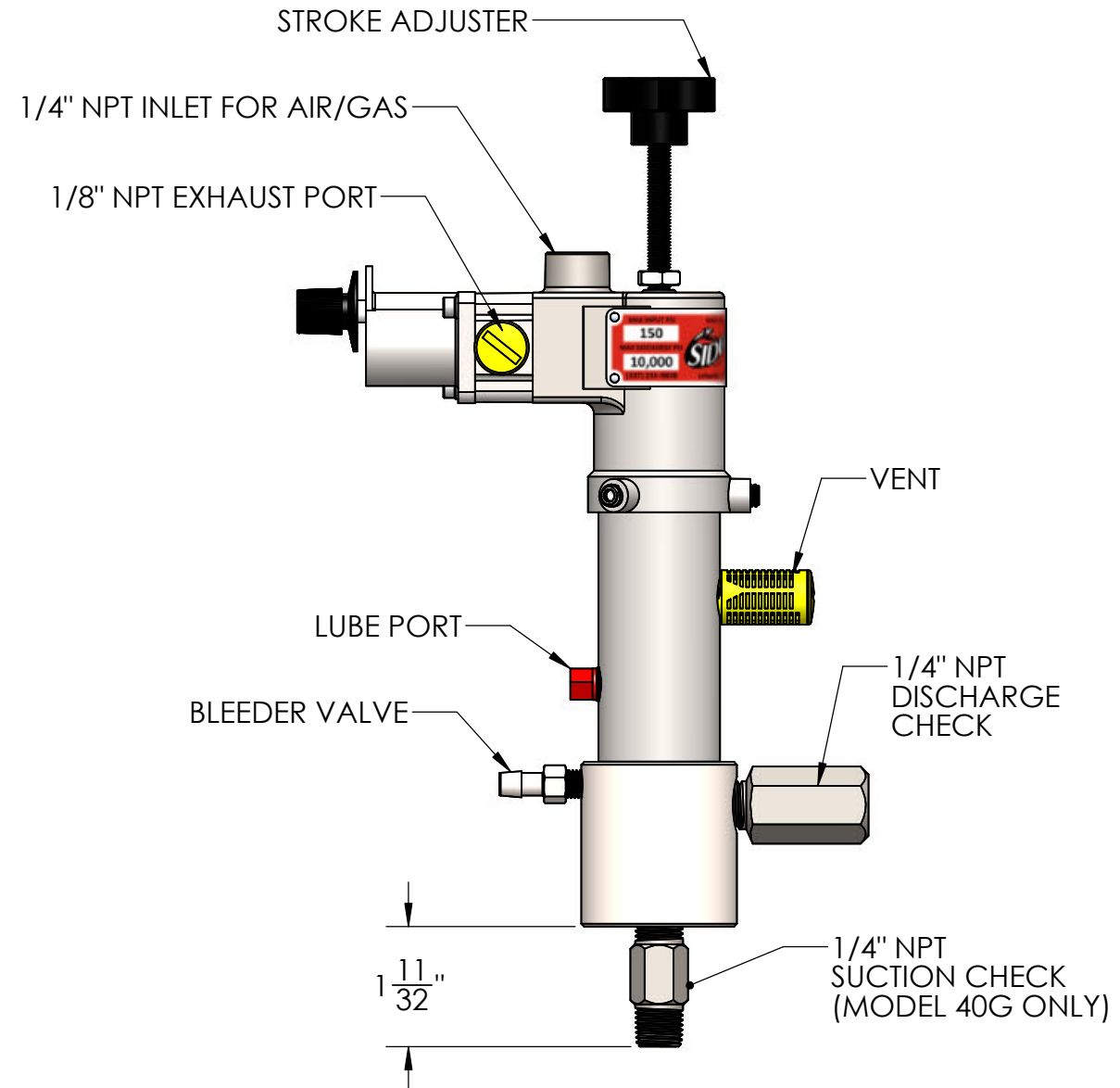
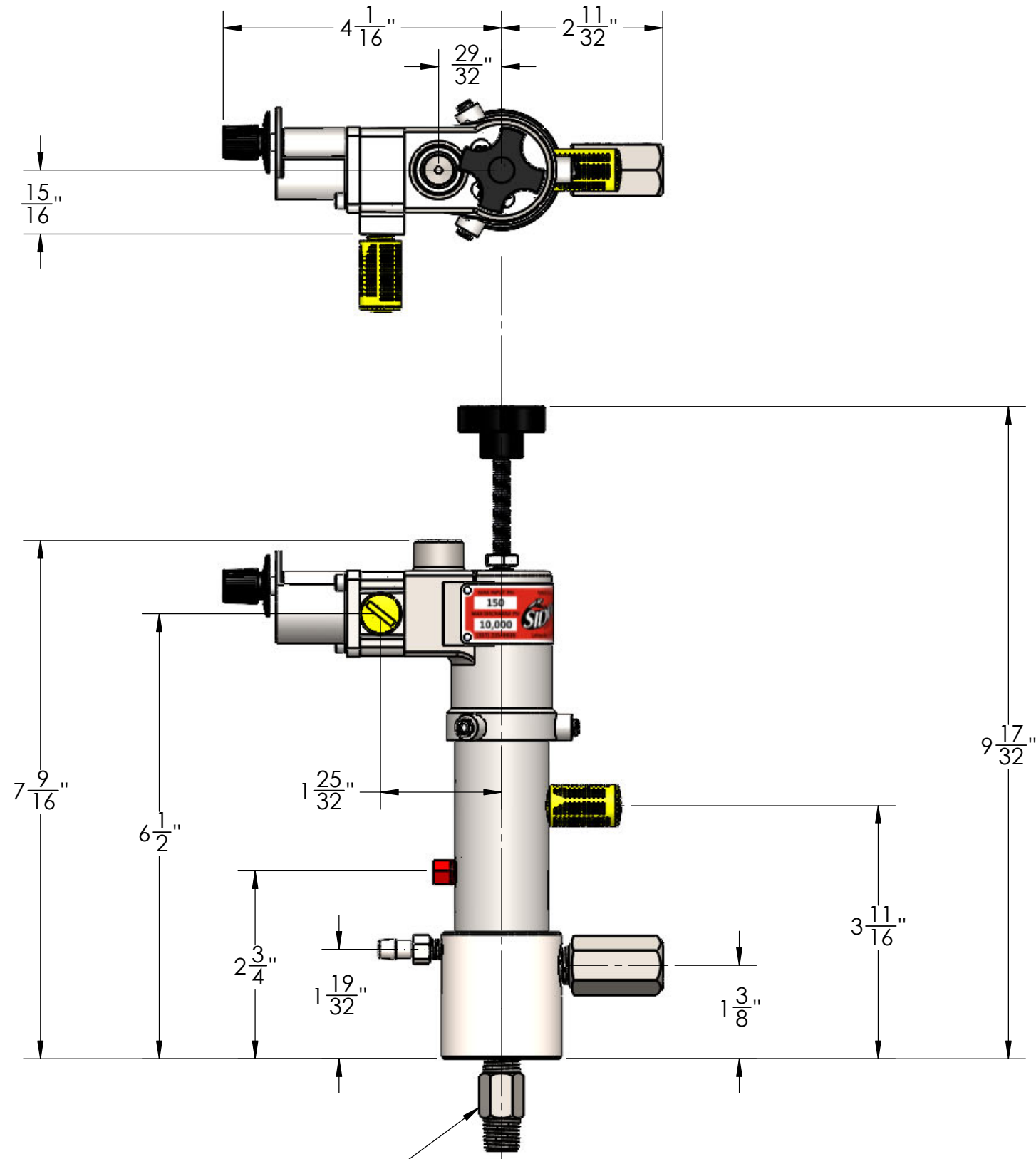


REVISIONS		
REV.	DESCRIPTION	DATE
-	DRAWN IN SOLIDWORKS	11/3/15



1/2" NPT
SUCTION CHECK
(MODELS 60H AND 80G)

PROPRIETARY AND CONFIDENTIAL
THE INFORMATION CONTAINED IN THIS DRAWING IS THE SOLE PROPERTY OF **SIDEWINDER PUMPS, INC.** ANY REPRODUCTION IN PART OR AS A WHOLE WITHOUT THE WRITTEN PERMISSION OF **SIDEWINDER PUMPS, INC.** IS PROHIBITED.

UNLESS NOTED OTHERWISE, DIMENSIONS ARE IN INCHES AND TOLERANCES ARE AS FOLLOWS:
 FRACTIONAL: $\pm 1/32$
 ANGULAR: $\pm 1/2^\circ$
 MATERIAL FINISH: 125
 TOTAL RUNOUT WITHIN .010 TIR/FIM
 ONE PLACE DECIMAL .x $\pm .015$
 TWO PLACE DECIMAL .xx $\pm .010$
 THREE PLACE DECIMAL .xxx $\pm .005$

FOR DRILLED HOLES:
 UP TO 1/2" +.005/-001
 OVER 1/2" TO 1" +.010/-001
 OVER 1" TO 2" +.015/-001

Spicy Little Pump
 PO BOX 80769
 107 COMMISSION BLVD
 LAFAYETTE, LA 70598-0769

PART NAME:
1-1/4" PUMP, "G" SERIES
 MODELS 40, 60, & 80 "G"

DRAWN BY:	PRS	11/3/2015	SIZE	B
CHECKED BY:			PART NO.	MODEL 40, 60, & 80
MATERIAL:	SEE NOTES		DO NOT SCALE DRAWING	SHEET 1 OF 1

REV	-
-----	---