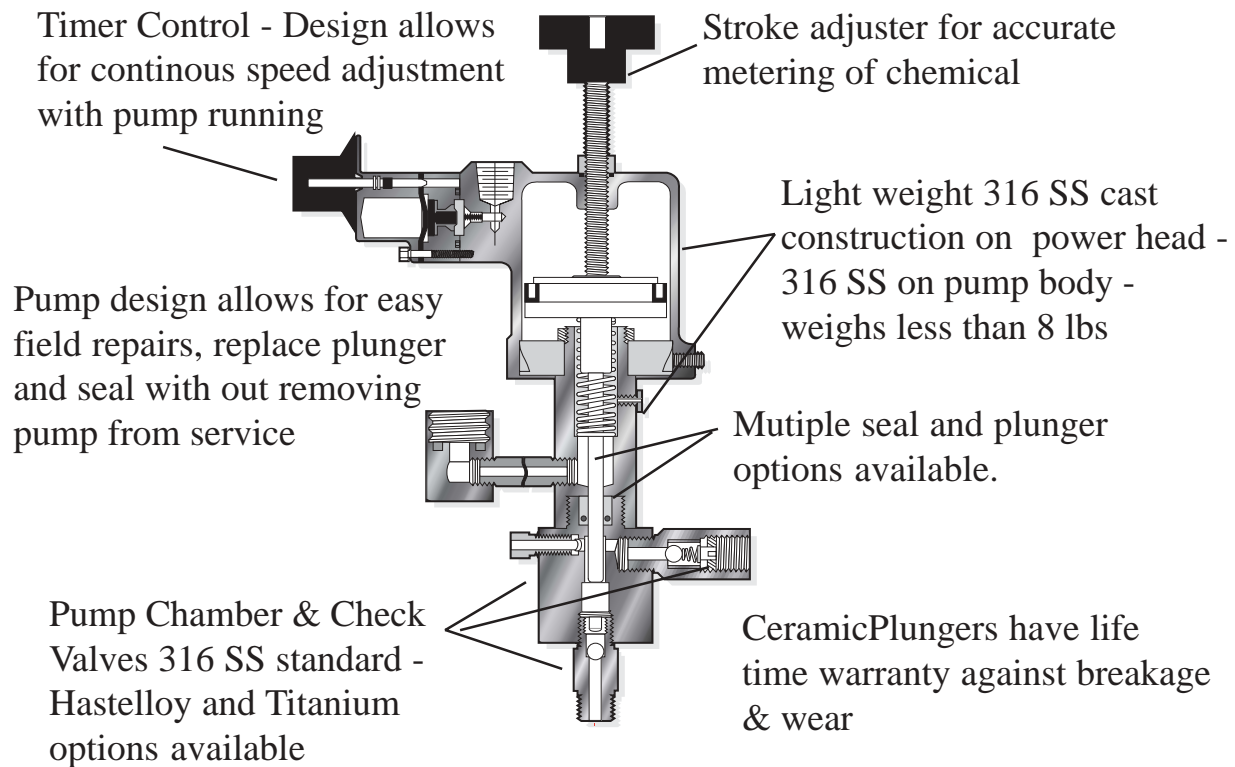




## STANDARD FEATURES MODEL 40/60/80 & 42/62/82 SERIES



## PUMP PERFORMANCE CHART

Model Number	Plunger Size	Piston Size	Amplification Ratio	Supply Pressure PSI	Discharge Pressure PSI(a)	Max Full Strokes per minute	Output Volume Qts./Day(b)
40	0.250"	1.25"	25:1	15 to 150	0 to 3,750	60	0 to 90
42	0.250"	2.25"	80:1	10 to 150	0 to 10,000	55	0 to 70
44	0.250"	4"	240:1	10 to 45	0 to 10,000	35	0 to 30
60	0.375"	1.25"	11:1	15 to 150	0 to 1,600	60	0 to 200
62	0.375"	2.25"	36:1	10 to 150	0 to 5,400	55	0 to 155
64	0.375"	4"	110:1	10 to 150	0 to 10,000	30	0 to 67
80	0.500"	1.25"	6.25:1	15 to 150	0 to 935	60	0 to 360
82	0.500"	2.25"	20:1	10 to 150	0 to 3,000	55	0 to 275
84	0.500"	4"	60:1	10 to 150	0 to 9,000	30	0 to 120
164	1.000"	4"	16:1	10 to 150	0 to 2,400	40	0 to 680