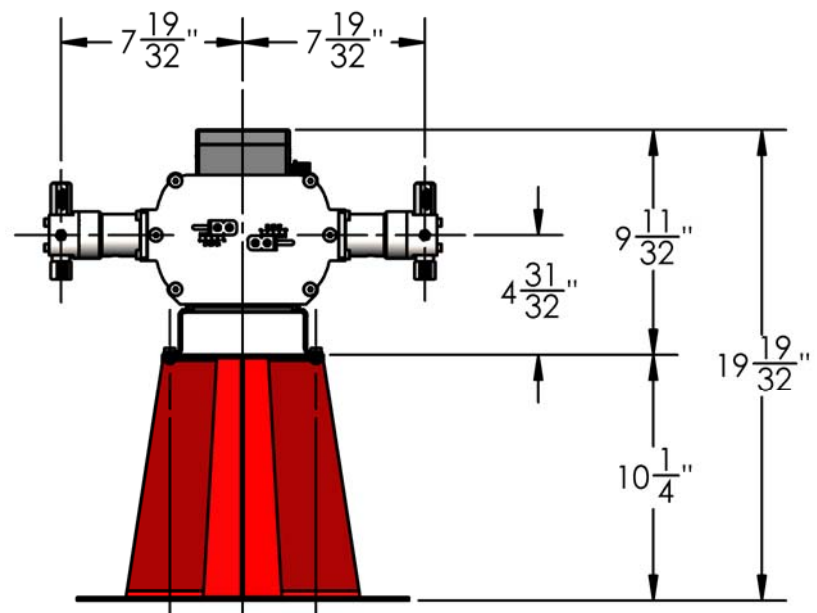
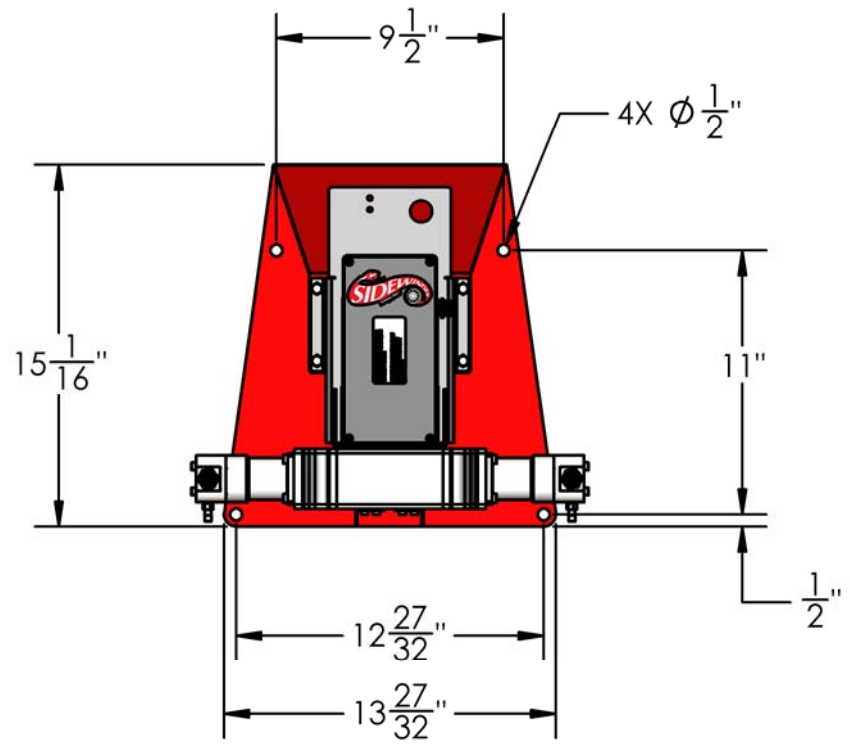
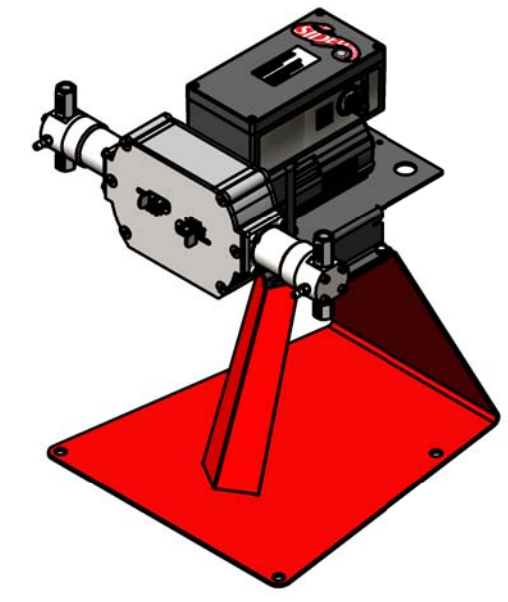
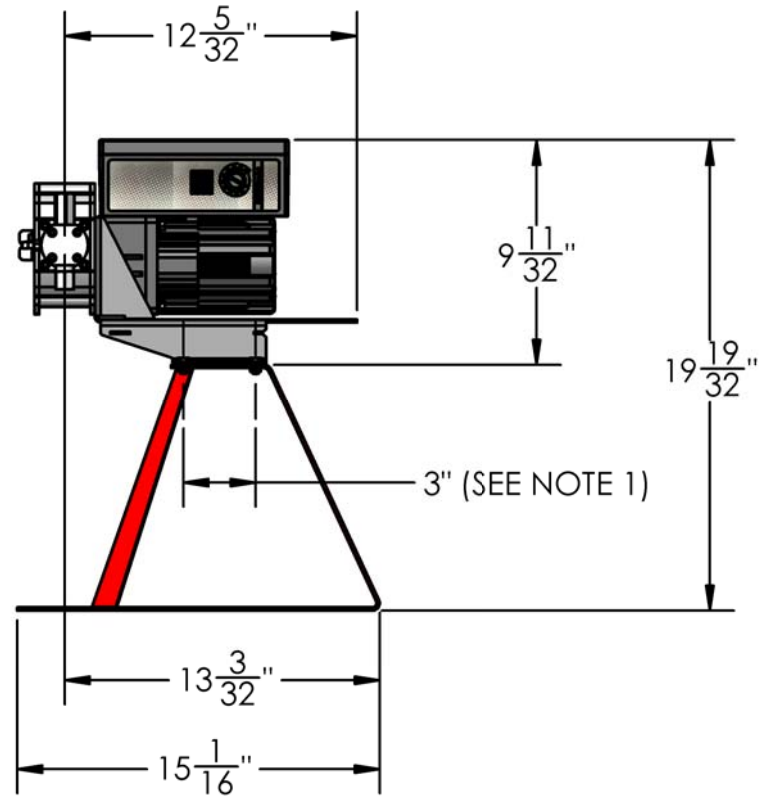


REVISIONS		
REV.	DESCRIPTION	DATE
-	INITIAL RELEASE OF DRAWING	9/12/17



6 1/8" SEE NOTE 1



- NOTES:  
 1) MOTOR BASE MOUNTING DIMENSIONS. MOUNTS WITH 1/4-20 SCREWS.  
 2) DUPLEX VERSION SHOWN. SIMPLEX MODEL IS AVAILABLE.

**PROPRIETARY AND CONFIDENTIAL**  
 THE INFORMATION CONTAINED IN THIS DRAWING IS THE SOLE PROPERTY OF **SIDEWINDER PUMPS, INC.** ANY REPRODUCTION IN PART OR AS A WHOLE WITHOUT THE WRITTEN PERMISSION OF **SIDEWINDER PUMPS, INC.** IS PROHIBITED.

UNLESS NOTED OTHERWISE, DIMENSIONS ARE IN INCHES, AND TOLERANCES ARE AS FOLLOWS:  
 FRACTIONAL: ±1/32  
 ANGULAR: ±1/2°  
 MATERIAL FINISH: 125  
 TOTAL RUNOUT WITHIN .010 TIR/FIM  
 ONE PLACE DECIMAL .x ±.015  
 TWO PLACE DECIMAL .xx ±.010  
 THREE PLACE DECIMAL .xxx ±.005  
 FOR DRILLED HOLES:  
 UP TO 1/2" +.005/-001  
 OVER 1/2" TO 1" +.010/-001  
 OVER 1" TO 2" +.015/-001

Spicy Little Pump  
 PO BOX 80769  
 107 COMMISSION BLVD  
 LAFAYETTE, LA 70598-0769

PART NAME:  
**MOUNT DIMENSIONS**  
 DC C1D2 DUPLEX PUMP

DRAWN BY: PRS	SIZE B	PART NO. DC C1D2 PUMP	REV -
CHECKED BY: XXX			
MATERIAL: SEE NOTES		DO NOT SCALE DRAWING	SHEET 1 OF 1