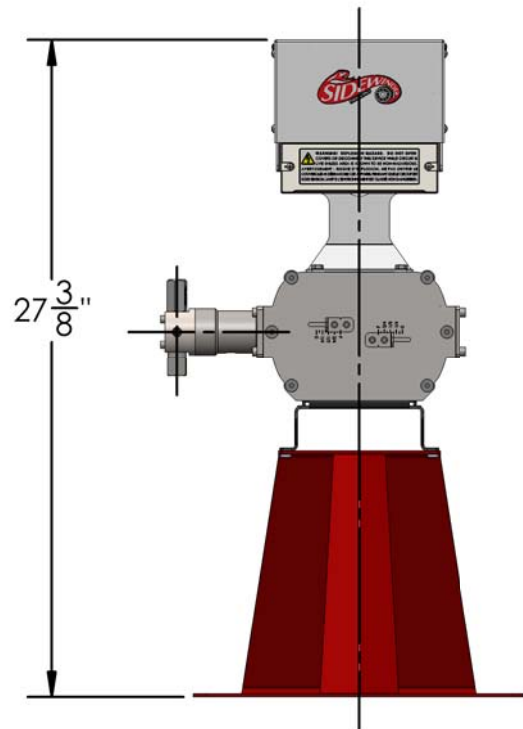
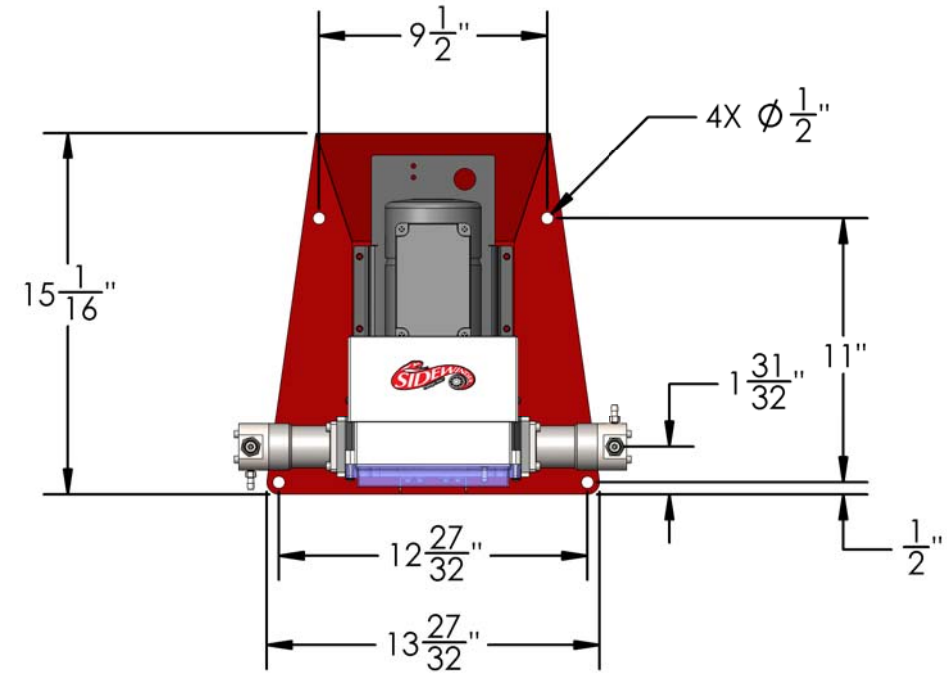
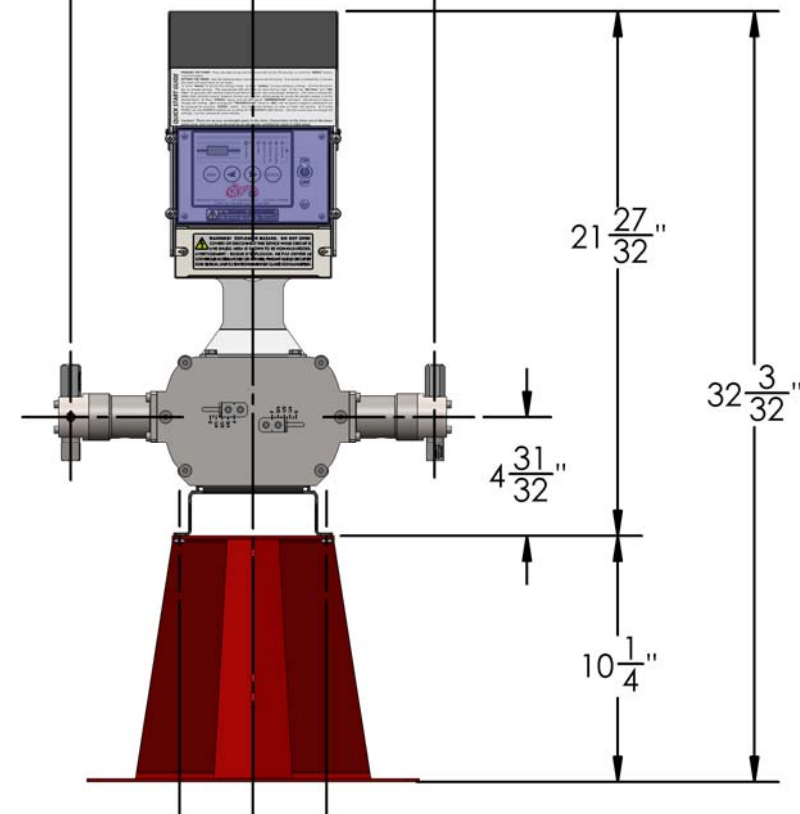


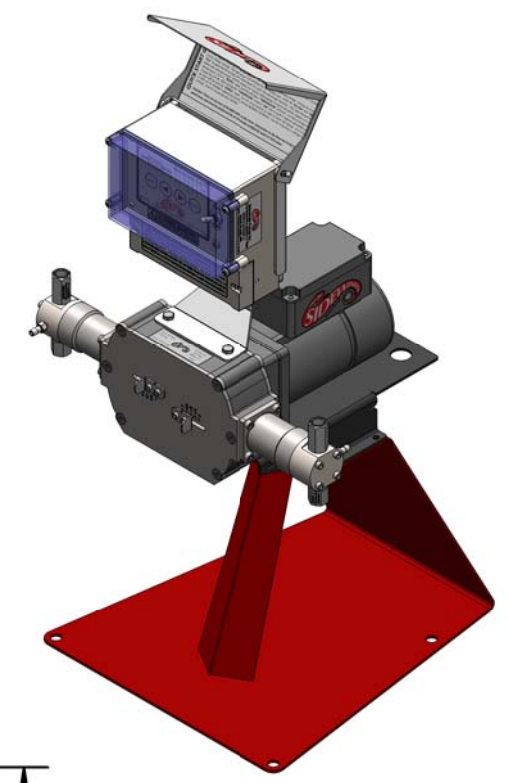
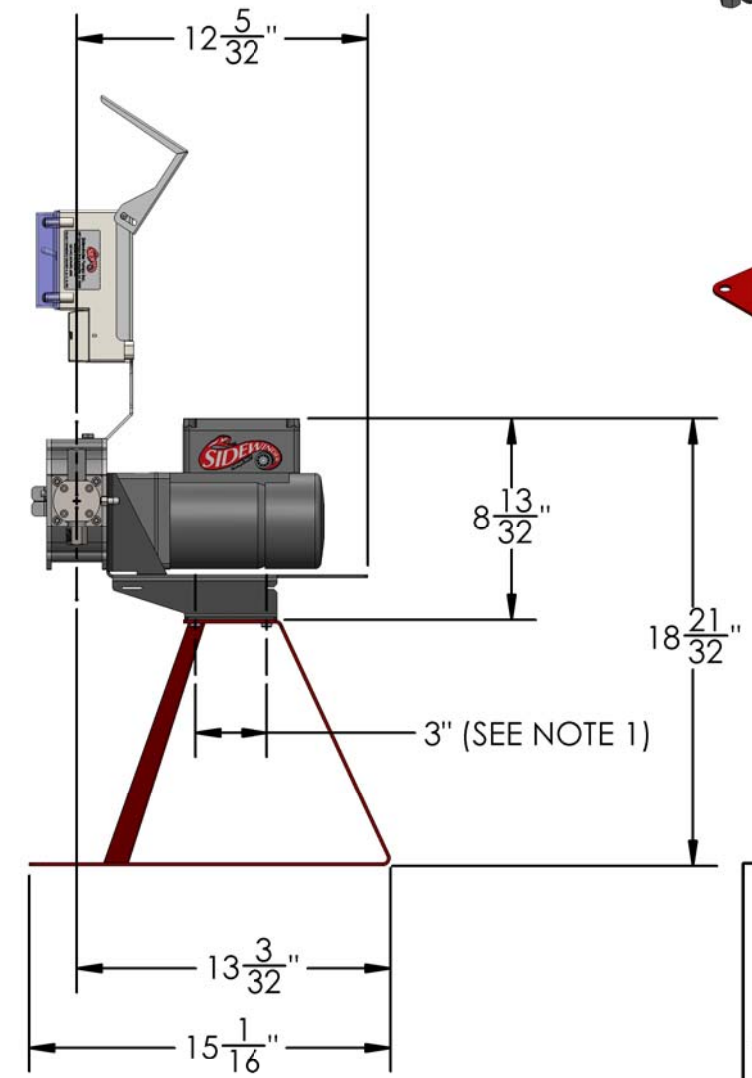
REVISIONS		
REV.	DESCRIPTION	DATE
-	INITIAL RELEASE	9/11/17



SIMPLEX MODEL WITH LID CLOSED



6 1/8" (SEE NOTE 1)



- NOTES:
 1) MOTOR BASE MOUNTING DIMENSIONS. MOUNTS WITH 1/4-20 SCREWS.
 2) DUPLEX VERSION SHOWN. SIMPLEX MODEL IS AVAILABLE.

PROPRIETARY AND CONFIDENTIAL
 THE INFORMATION CONTAINED IN THIS DRAWING IS THE SOLE PROPERTY OF **SIDEWINDER PUMPS, INC.** ANY REPRODUCTION IN PART OR AS A WHOLE WITHOUT THE WRITTEN PERMISSION OF **SIDEWINDER PUMPS, INC.** IS PROHIBITED.

UNLESS NOTED OTHERWISE, DIMENSIONS ARE IN INCHES, AND TOLERANCES ARE AS FOLLOWS:
 FRACTIONAL: ±1/32
 ANGULAR: ±1/2°
 MATERIAL FINISH: 125
 TOTAL RUNOUT WITHIN .010 TIR/FIM
 ONE PLACE DECIMAL .x ±.015
 TWO PLACE DECIMAL .xx ±.010
 THREE PLACE DECIMAL .xxx ±.005
 FOR DRILLED HOLES:
 UP TO 1/2" +.005/-001
 OVER 1/2" TO 1" +.010/-001
 OVER 1" TO 2" +.015/-001

Spicy Little Pump
 PO BOX 80769
 107 COMMISSION BLVD
 LAFAYETTE, LA 70598-0769

PART NAME: MOUNT DIMENSIONS AC C1D2 DUPLEX PUMP		SIZE B	PART NO. AC C1D2 PUMP	REV. -
DRAWN BY: PRS 9/11/2017		DO NOT SCALE DRAWING		SHEET 1 OF 1