



P. O. Box 80769 • Lafayette, LA 70598-0769 • (337) 235-9838 • FAX (337) 235-9852 • [www.sidewinderpumps.com](http://www.sidewinderpumps.com)

## AC Powered - Chemical Injection Pump

Suggested Installation & Operating Instructions

### BASIC SYSTEM SETUP:

**Step 1: MOUNT THE PUMP** - Securely fasten your Sidewinder Pump in the desired location. Sidewinder offers two versions of stands. The alternate stand below must be bolted in place. The standard stand is free standing, but does have holes for staking or bolting in place. As an option, the pump base can be bolted directly to your existing structure instead of to a stand. (Middle picture is pump and controller which can be directly bolted to your structure.)



STANDARD BASE



ALTERNATE BASE



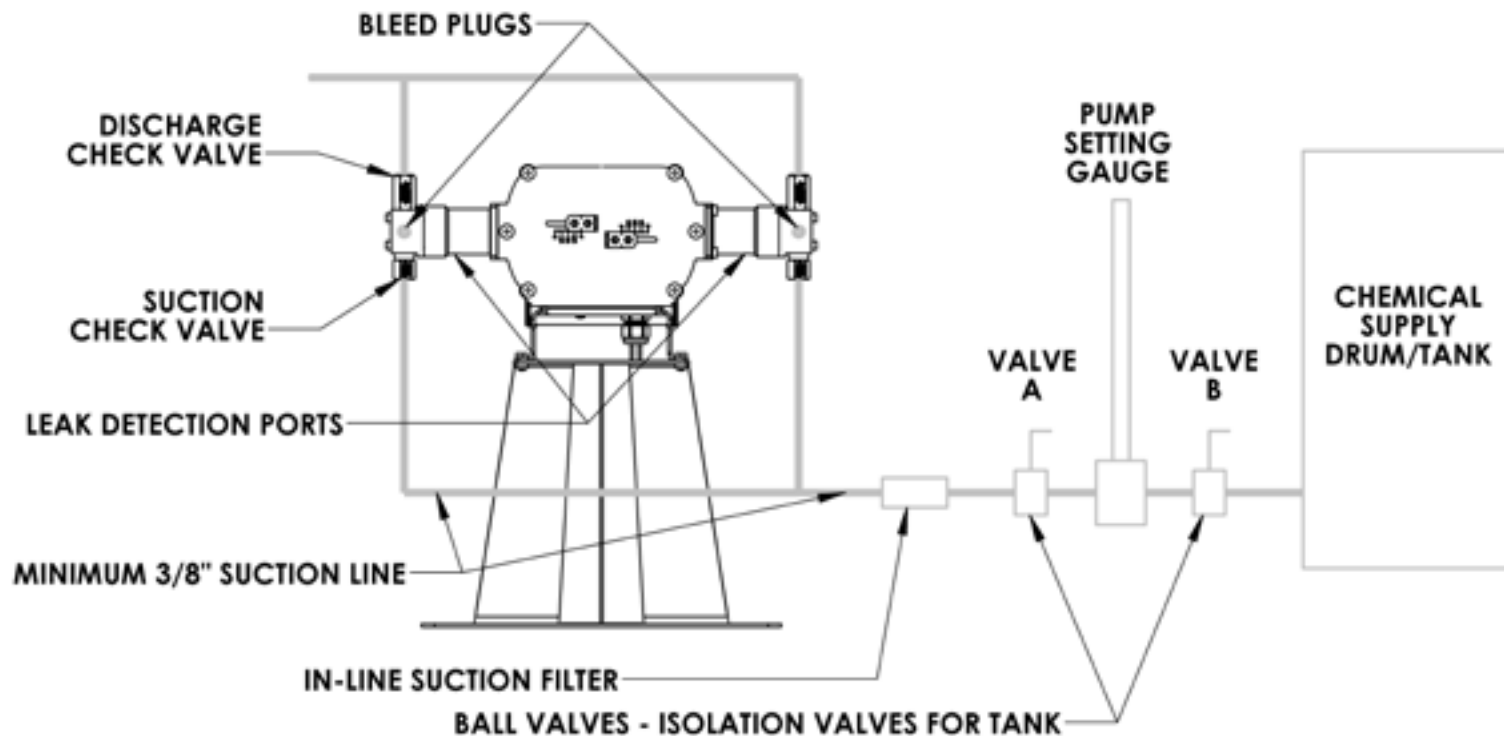
The pump, stand, and controller are supplied apart from each other. Follow these steps to connect them.

- Using (4) 1/4-20 Hex Head Screws, mount the AC Pump to your stand. (see illustration directly to the right) There is no controller on the pump at this time.
- Using (2) 1/4-20 Hex Head Screws, mount the controller to the top of the pump. (see upper right illustration)
- Connect the wire from the AC Pump's motor to the back left circular connector on the controller. It should screw fully in place. It fits one way only, and should never be forced into place.



**Step 2: PLUMBING THE PUMP: (See Illustration below – duplex version shown)**

- a) Install pump setting gauge between two isolation ball valves as shown below.
- b) Install pump with suction filter and isolation ball valve between the pump and the pump setting gauge.
- c) Connect the feed line to the Suction Check Valve(s) using 1/4" MNPT connectors.
- d) Connect the discharge line to the Discharge Check Valve(s) using 1/4" MNPT connectors.
- e) 1/8" FNPT ports are provided for detection of seal leakage. They may be used to plumb drainage to containment area.
- f) **NOTE: Industry safety practice requires installation of a properly sized pressure safety valve at the discharge side of the pump.**
- g) **NOTE: Sidewinder Pumps Inc. strongly recommends the addition of a line check valve at the point of injection.**
- h) **NOTE: Do not use non-metallic discharge lines.**
- i) **NOTE: If using a "Divider Block" in the discharge line, a pressure safety valve must be installed in the discharge line at the pump. Failure to do so will void the pump warranty and most importantly, will create a safety hazard! (See Note " f " above also)**



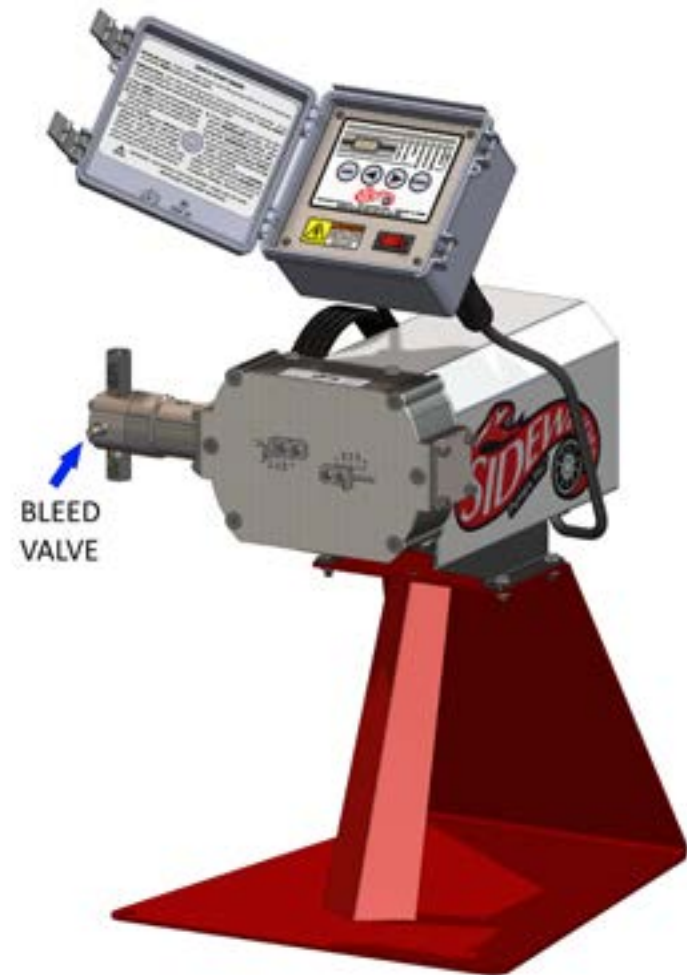
**DUPLEX HEAD AND OPTIONAL STAND SHOWN  
(DIAGRAM 1)**

**Step 3: Electrical Needs – Your Sidewinder AC Pump Controller requires a standard grounded 120 VAC outlet for power. The pump is provided with a built in cord 15 ft long that is rated for outdoor use. The controller has a resettable circuit breaker style switch that limits current draw to 7 amps. Do not plug the unit in until you are ready to prime the pump. See the following step in this manual for plumbing the pump.**

**Step 4: FINAL CONNECTIONS and STARTUP: NOTE: Make sure the Timer Unit inside the control box is set to “OFF”.**

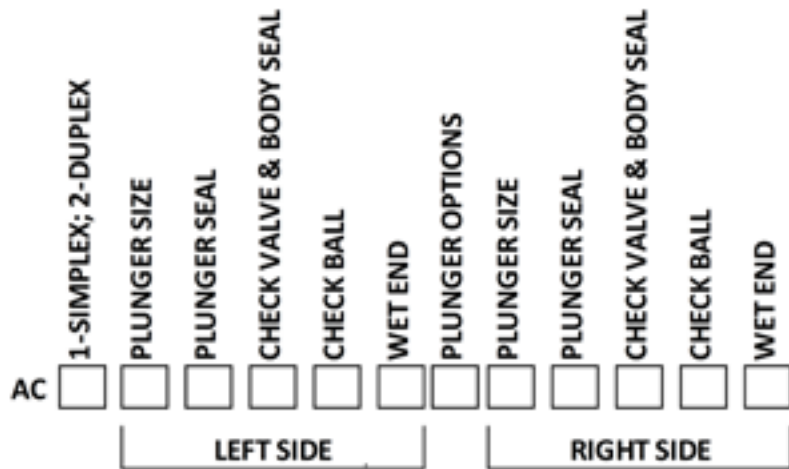
a) Prime your pump prior to operation. Loosen the bleed plug(s) and either gravity feed, or run the pump in its continuous mode until all air in the lines is purged. **See your Timer Manual (supplied) for timer instructions and features. See Section 5 of the timer manual for instructions on the “PRIME” function.**

b) When pump is primed, tighten bleed plug(s), set pump to desired rate, and turn timer on. Verify flow rate with pump setting gauge.

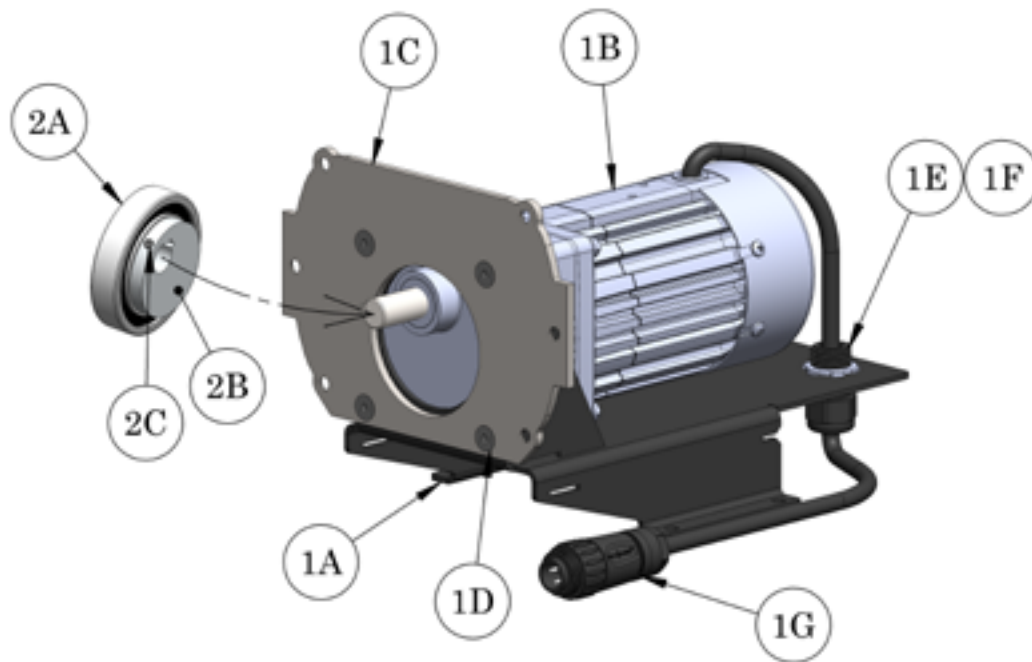
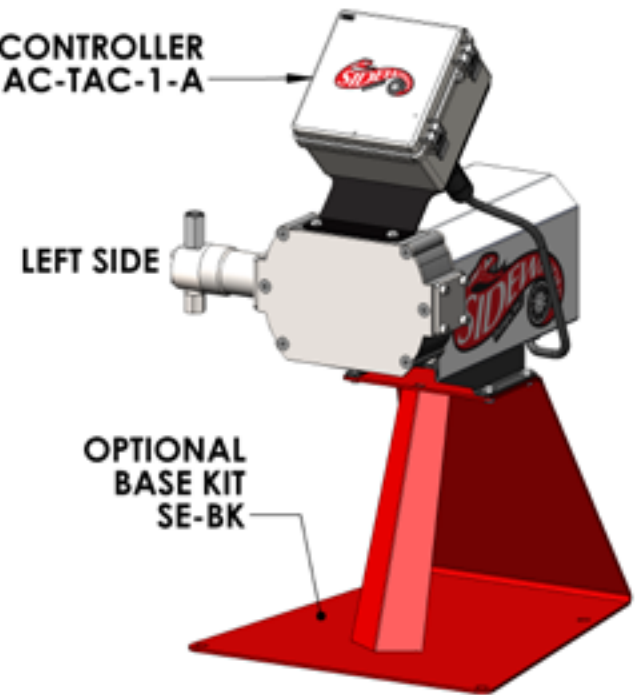


# PARTS LIST: MAIN PUMP ASSEMBLY

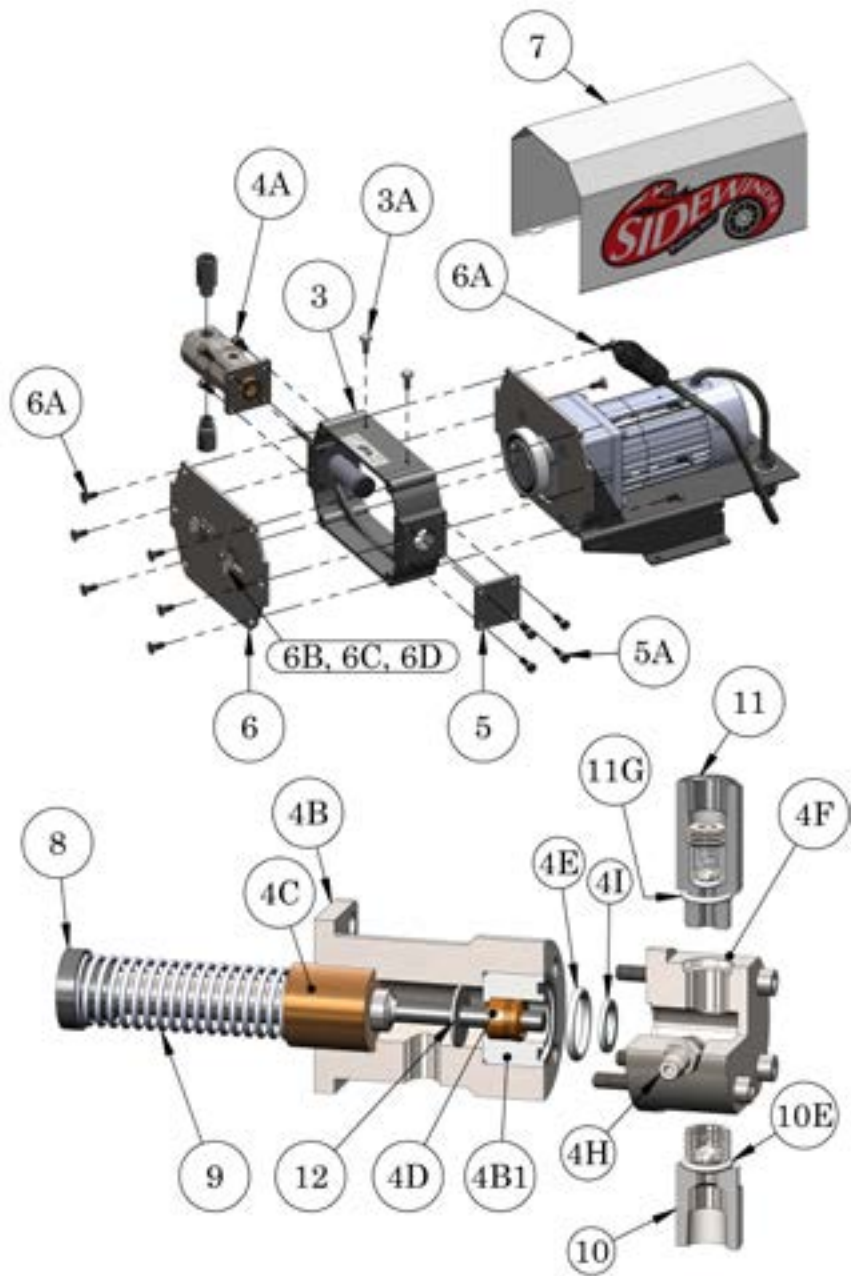
Pump part number structure:



AC TIMER/CONTROLLER  
PART NUMBER: AC-TAC-1-A



Item No.	Quantity	Part Description	Part Number
1	1	Motor & Base Assembly	AC-MBA-1-A
1A	1	Motor Base	SE-B-1-A
1B	1	Motor	AC-MA-1-A
1C	1	Rear Coverplate	SE-P-1-H-1
1D	1	Screw, Motor Mount	C-001-10-1
1E	2	Cord Grip	SE-CG-1-A
1F	1	Cord Grip Nut	C-008-8-A
1G	1	Connector, AC Motor	WA-C-300
2	1	Cam Assembly	SE-CA-8
2A	1	Bearing	SE-C-1-C
2B	1	Cam	SE-C-8-A
2C	1	Set Screw	C-004-06

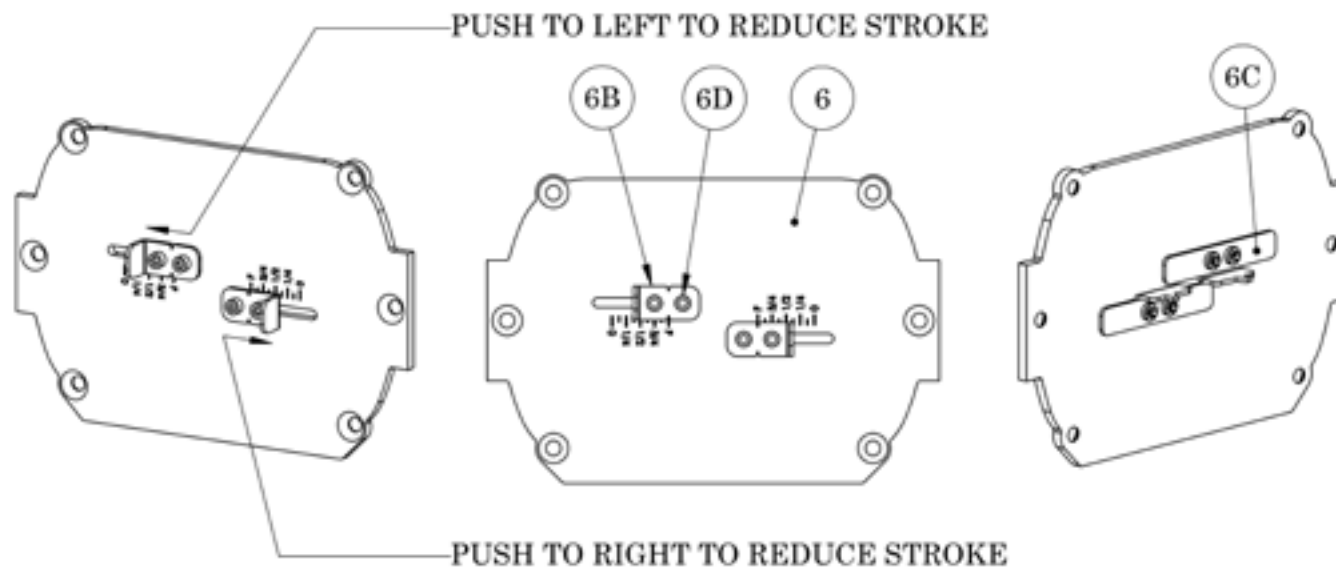


Item No.	Qty	Part Description	Part Number		
			1/4" Plunger	3/8" Plunger	1/2" Plunger
3	1	Pump Housing		AC-2-1	
3A	2	Screws, Timer Mount		C-012-10-3	
4 *	1	Pump Assembly	SE-PA-4062	SE-PA-6062	SE-PA-8062
4A	4	Screw, Mount Tube to Pump Housing		C-007-10-3	
4B	1	Mounting Tube		SE-MT-1-B	
4B1	1	Mounting Tube Insert	SE-MTI-4-A	SE-MTI-6-A	SE-MTI-8-A
4C	1	Bushing		SE-MT-1-D	
4D	1	Plunger Seal, Teflon Carbon Filled Graphite Uniseal (STANDARD) See Sheet 6 for optional seals	18-42	18-62G	18-82
4E	1	O-Ring, Pump Mounting Tube	C-006-115-6	C-006-118-6	C-006-118-6
4F	1	Pump Chamber		SE-PC-2-B	
4G	4	Pump Chamber Mounting Screw		C-005-28-1	
4H	1	Blood Plug		SE-BP-1-A	
4I	1	Pump Chamber Shim	SE-SHIM-B	SE-SHIM-B	N/A
5 **	1	Simplex Coverplate		SE-SC-A	
5A	4	Screw, Simplex Coverplate		C-007-10-3	
6	1	Front Coverplate		SE-P-1-H-4	
6A	12	Screw, Coverplates to Housing		C-002-10-3	
6B	2	Stroke Limiter, Control Tab		SE-SL-1-A	
6C	2	Stroke Limiter, Stop		SE-SL-2-A	
6D	4	Screws, Stroke Limiter		C-021-08-3	
7	1	Motor Cover		SE-MC-A-W	
8 *	1	Plunger Assembly	SE-PLA-4-A	SE-PLA-6-A	SE-PLA-8-A
9 *	1	Return Spring		SE-RS-1-A	
10 *	1	Suction Check Valve		SE-CV-4-S-2-2-6	
10A	1	Suction Check Valve Body		SE-CV-4-S-2-A	
10B	1	Ball, Suction Check Valve		SE-CVB-6-2	
10C	1	G-Clip		22C-42-2	
10D	1	O-Ring, Suction Check Seat		C-006-010-7	
10E	1	O-Ring, Check Valve Thread		C-006-906-6	
11 *	1	Discharge Check Valve		SE-CV-4-D-2-2-6	
11A	1	Discharge Check Valve Body		SE-CV-4-D-2-A	
11B	1	Ball, Discharge Check Valve		22B-42-2	
11C	1	Valve Seat Sleeve		23D-42-2	
11D	1	Spring, Tapered		22C-42-2	
11E	1	Spring Retainer		23E-42-2	
11F	1	O-Ring, Discharge Check Seat		C-006-009-7	
11G	1	O-Ring, Check Valve to pump chamber		C-006-906-6	
12	1	Plunger Wiper	SW-PLW-250	SE-PLW-375	SE-PLW-500
*	Double quantities for duplex unit; Item 4 is shown in exploded view as Items 4A - 4I				
**	Simplex Unit Only				
***	1: O-Ring Seal for 1/4" plunger requires (1) O-Ring and (2) narrow backup rings (18D-42) 2: O-Ring Seal for 3/8" plunger requires (2) O-Rings & (3) narrow backup rings (18D-62)				

## USING THE STROKE LIMITERS:

Your pump is equipped with Sidewinder's stroke limiting system and you can make fine adjustments to pump output by setting the stroke length.

- a) Sidewinder Pumps are shipped with the stroke limiter in its "Full Output" position.
- b) With the pump running, loosen (NEVER REMOVE! ONLY LOOSEN SLIGHTLY) the socket head cap screws, #6D, on the appropriate control tab #6B, while holding the tab in its full stroke position as indicated on the stamped graphics on the front of the pump. ( F, 3/4, 1/2, 1/4, 0 ) are the markings on the coverplate.
- c) After loosening the two #6D stroke limiter screws on the appropriate stroke limiter control tab (again... do not remove!) you should be able to slide the control tab #6B outward, away from the "F" mark, to a lesser output setting. The tab may slide in and out as the internal plunger head comes against it, but with a little practice, you should be able to hold back against the plunger, and stop the plunger at the desired stroke length. Use the little notch in the control tab 6B as a reference point for setting the stroke limiter. When you have the control tab in the desired position, tighten the two stroke limiter screws #6D. Tighten the screws to a snug level. The control tab will remain at your set point. **DO NOT OVERTIGHTEN** as this could strip the internal threads and impair your ability to limit the pump's stroke length!
- d) If pump is installed, but not running... the ability to slide the control tab, #6B, outward against the system pressure may prove to be difficult or impossible. Shut the fluid suction valve and open the bleeder plug, #4H, to eliminate pump chamber pressure. The control tab, #6B, should move freely, only held back by the internal return spring, item #9. Set the stroke limiter to the desired setting, snug stroke limiter screws, #6D, holding stroke limiter in place. Close the bleeder plug, and open the suction supply valve. NOTE: The pump may need to be primed again, before service is continued.
- e) Note: Setting a stroke limiter to "0" allows pump repairs/service to that side without shutting the pump off if necessary.



# AC Pump Troubleshooting Guide

Problem	Possible Cause	Action
Pump Not Running	* AC Power out or unit unplugged	* Check all electrical connections * Verify that AC incoming power is within 114 to 126 VAC.
	* Timer turned off	* Turn timer on
	* Tripped Circuit Breaker Switch on Timer/Controller	* Check switch on timer/controller. Check all connections. Verify that discharge line is not blocked or a valve closed.
	* Motor failure	* Replace motor (if above actions do not correct issue)
Pump Runs, No fluid discharge	* Air in pump chamber	* Open bleed plug (#4H) and purge until steady flow of fluid, then close bleed plug. If ambient temperature is close to vapor point of chemical, mount or situate pump on slight angle down from the tank. 1/4" plunger pumps may require removal of discharge check valve to completely bleed all air from the pump chamber.
	* Fluid flow blocked by plugged line, closed suction valve, extremely high viscosity or lack of fluid supply	* Provide free flow of fluid to pump suction, fluid level in tank must be above level of bleed plug
	* Suction or Discharge check valve leaking	* Use pump setting gauge in test position to determine which valve is leaking. Fluid falling then rising in the gauge indicates suction check valve, fluid level remaining constant in gauge indicates discharge check
	* Chemical filter clogged	* Replace filter element or clean filter
	* Return Spring broken	* Remove front coverplate (#6). Observe pump running. If plunger (#8) not fully engaging or following the cam, stop the pump and check for broken spring or sticking plunger. Replace spring (#9) or lubricate plunger.
	* Plunger Sticking	
* Stroke Limiter set to zero or very short stroke	* With Pump running, adjust stroke limiter (Loosen (2) #6D screws and adjust using tab #6B), to allow a longer pump stroke. Always use a full stroke if possible. Reduce output by adjusting timer settings, then use stroke limiter for fine tuning pump output.	
Premature Seal Failure	* Chemical Compatibility	* Check the plunger first. If plunger is scored or damaged, replace plunger and seal. * If seal still fails, change to different seal material.
	* Abrasive Material in Chemical	* Install suction filter
	* Bushing (#4C) worn.	* Replace bushing part # SE-MT-1-B.
Chemical leakage	* Damaged or leaking suction line, discharge line or seal failure	* Prior to repair: * Open the timer box and turn the timer to the "OFF" position. * Close Isolation ball valve "B" between pump setting gauge and chemical tank (see Diagram 1 on page 3)
		* Close isolation ball valve "A" between pump and pump setting gauge (see Diagram 1 on page 3)

**NOTE: Item numbers referenced in the troubleshooting guide are in the Pump Breakdown chart provided in this document.**

**Manufacturer Disclaimer**

Manufacturer recommends the use of 316SS seamless tubing rated for the maximum discharge pressure of the specific pump model being used. DO NOT USE poly tubing, copper tubing, and/or seamed tubing as a discharge line. Use of incorrect material may result in discharge line failure leading to personal injury, death, and /or compromise to intended injection objectives. For Safety Purposes and Good Engineering Practice, the manufacturer recommends placement of a properly size Pressure Relief Valve (PRV) / Pressure Safety Valve (PSV) on the pump discharge line at the pump, with the relief line plumbed back to the chemical tank (#7)



ITEM	CODE	DESCRIPTION
PLUNGER SIZE	4	1/4"
	6	3/8"
	8	1/2"
PLUNGER SEAL OPTIONS	0	TEFLON GRAPHITE UNISEAL
	1	TECHNO UNISEAL (POLYIMIDE)
	4	TEFLON UNISEAL
	4A	TEFLON UNISEAL W/ AFLAS O-RING INSERT
	4B	TEFLON UNISEAL W/ BUNA O-RING INSERT
	4V	TEFLON UNISEAL W/ VITON O-RING INSERT
	8	POLYBLEND UNISEAL
	8V	POLYBLEND UNISEAL W / VITON INSERT
	9	CUSTOMER SPECIFIED
V	VITON/CARBON TEFLON UNISEAL	
CHECK VALVE / BODY SEAL OPTIONS	2	VITON O-RING
	3	BUNA O-RING
	5	CHEMRAZ O-RING
	6	HITEC O-RING (AFLAS)
	7	VIRGIN TEFLON O-RING
CHECK VALVE BALL OPTIONS	2	316 STAINLESS STEEL
	4	CERAMIC
WET END	2	316 STAINLESS STEEL
PLUNGER	4	CERAMIC COATED



## APPROXIMATE QUARTS PER DAY AT VARIOUS ON-TIME / OFF-TIME SETTINGS

(ALWAYS VERIFY ACTUAL OUTPUT WITH A PUMP CALIBRATION GAUGE)

BATCH DOSING SETTINGS	PLUNGER DIAMETER	ON MIN	OFF MIN	SIMPLEX QTS / DAY	DUPLEX QTS / DAY	PLUNGER DIAMETER	ON MIN	OFF MIN	SIMPLEX QTS / DAY	DUPLEX QTS / DAY	PLUNGER DIAMETER	ON MIN	OFF MIN	SIMPLEX QTS / DAY	DUPLEX QTS / DAY
	1/4"	60	0	73.5	146.9	3/8"	60	0	165.3	330.6	1/2"	60	0	293.9	587.8
	1/4"	55	5	67.3	134.7	3/8"	55	5	151.5	303.1	1/2"	55	5	269.4	538.8
	1/4"	50	10	61.2	122.4	3/8"	50	10	137.8	275.5	1/2"	50	10	244.9	489.8
	1/4"	45	15	55.1	110.2	3/8"	45	15	124.0	248.0	1/2"	45	15	220.4	440.8
	1/4"	40	20	49.0	98.0	3/8"	40	20	110.2	220.4	1/2"	40	20	195.9	391.8
	1/4"	35	25	42.9	85.7	3/8"	35	25	96.4	192.9	1/2"	35	25	171.4	342.9
	1/4"	30	30	36.7	73.5	3/8"	30	30	82.7	165.3	1/2"	30	30	146.9	293.9
	1/4"	25	35	30.6	61.2	3/8"	25	35	68.9	137.8	1/2"	25	35	122.4	244.9
	1/4"	20	40	24.5	49.0	3/8"	20	40	55.1	110.2	1/2"	20	40	98.0	195.9
	1/4"	15	45	18.4	36.7	3/8"	15	45	41.3	82.7	1/2"	15	45	73.5	146.9
	1/4"	10	50	12.2	24.5	3/8"	10	50	27.6	55.1	1/2"	10	50	49.0	98.0
	1/4"	5	55	6.1	12.2	3/8"	5	55	13.8	27.6	1/2"	5	55	24.5	49.0
	1/4"	1	59	1.2	2.4	3/8"	1	59	2.8	5.5	1/2"	1	59	4.9	9.8

INTERMITTENT FLOW SETTINGS	PLUNGER DIAMETER	ON SEC	OFF SEC	SIMPLEX QTS / DAY	DUPLEX QTS / DAY	PLUNGER DIAMETER	ON SEC	OFF SEC	SIMPLEX QTS / DAY	DUPLEX QTS / DAY	PLUNGER DIAMETER	ON SEC	OFF SEC	SIMPLEX QTS / DAY	DUPLEX QTS / DAY
	1/4"	60	0	73.5	146.9	3/8"	60	0	165.3	330.6	1/2"	60	0	293.9	587.8
	1/4"	55	5	67.3	134.7	3/8"	55	5	151.5	303.1	1/2"	55	5	269.4	538.8
	1/4"	15	3	61.2	122.4	3/8"	15	3	137.8	275.5	1/2"	15	3	244.9	489.8
	1/4"	12	4	55.1	110.2	3/8"	12	4	124.0	248.0	1/2"	12	4	220.4	440.8
	1/4"	6	3	49.0	98.0	3/8"	6	3	110.2	220.4	1/2"	6	3	195.9	391.8
	1/4"	7	5	42.9	85.7	3/8"	7	5	96.4	192.9	1/2"	7	5	171.4	342.9
	1/4"	8	8	36.7	73.5	3/8"	8	8	82.7	165.3	1/2"	8	8	146.9	293.9
	1/4"	7	10	30.3	60.5	3/8"	7	10	68.1	136.1	1/2"	7	10	121.0	242.0
	1/4"	6	12	24.5	49.0	3/8"	6	12	55.1	110.2	1/2"	6	12	98.0	195.9
	1/4"	4	12	18.4	36.7	3/8"	4	12	41.3	82.7	1/2"	4	12	73.5	146.9
	1/4"	2	10	12.2	24.5	3/8"	2	10	27.6	55.1	1/2"	2	10	49.0	98.0
	1/4"	2	22	6.1	12.2	3/8"	2	22	13.8	27.6	1/2"	2	22	24.5	49.0
	1/4"	1	59	1.2	2.4	3/8"	1	59	2.8	5.5	1/2"	1	59	4.9	9.8

**MAXIMUM PRESSURES: 1/4" - 5000 PSI, 3/8" - 2500 PSI, 1/2" 1250 PSI**



There ain't no better pump

*"Dedicated to providing state of the art metering solutions for all your chemical treatment needs."*

Sidewinder Pumps Inc.  
107 Commission Blvd., Lafayette, Louisiana 70508  
P.O. Box 80769, Lafayette, LA 70598-0769

(337) 235-9838 / Fax (337) 235-9852 • [www.sidewinderpumps.com](http://www.sidewinderpumps.com) • [info@sidewinderpumps.com](mailto:info@sidewinderpumps.com)