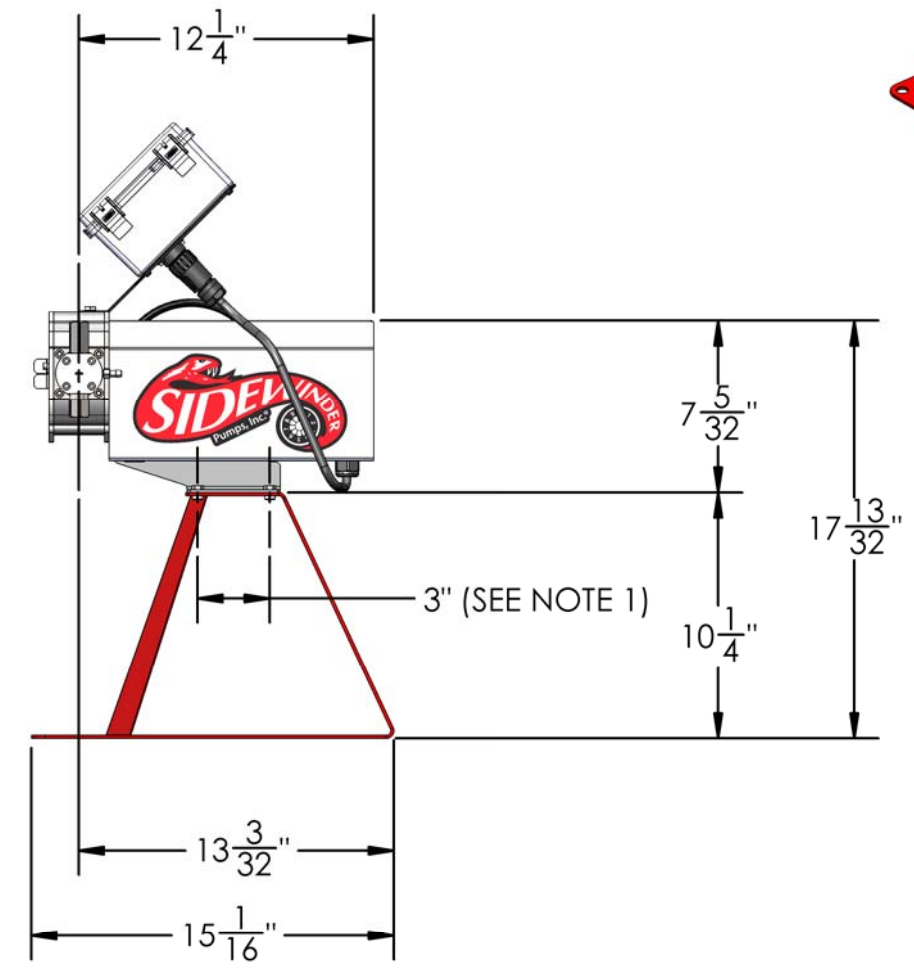
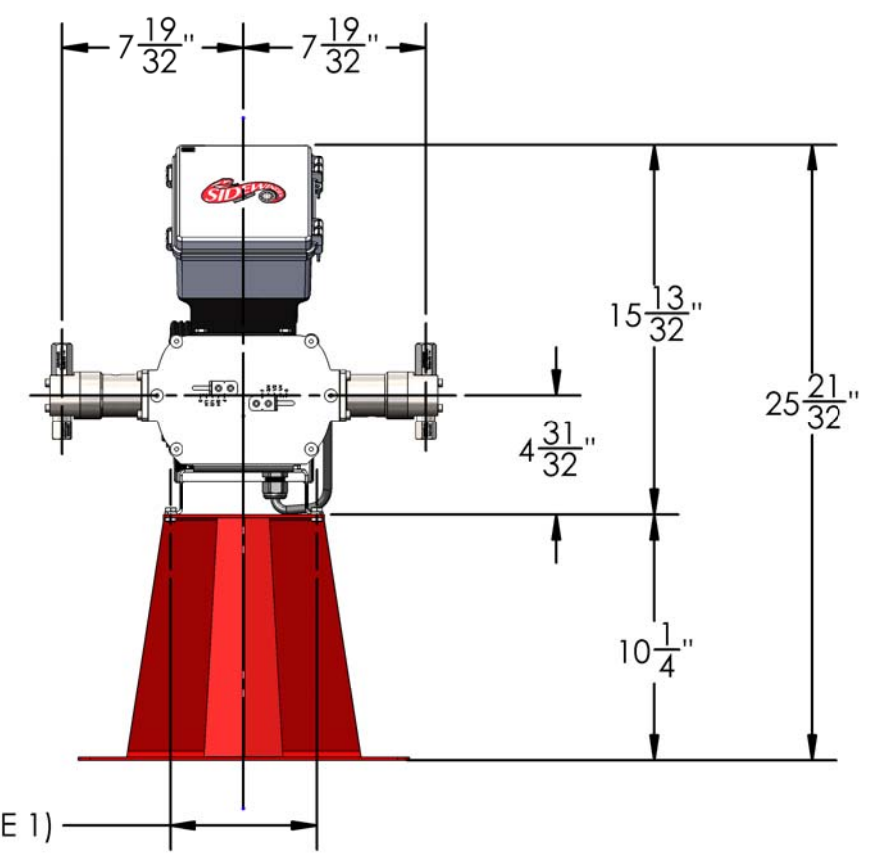
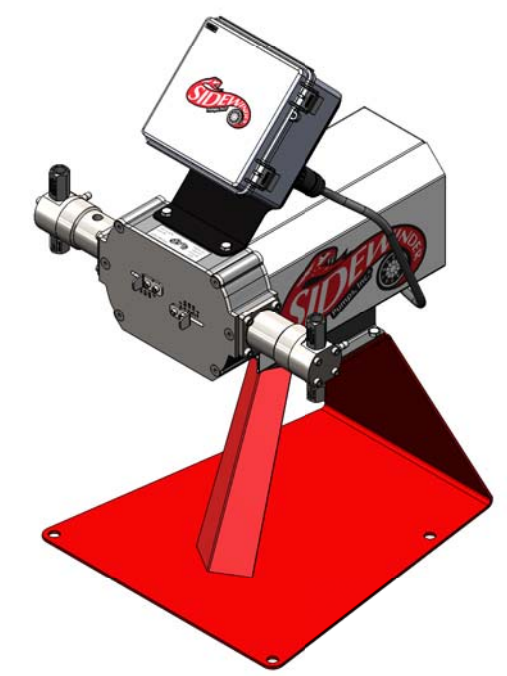
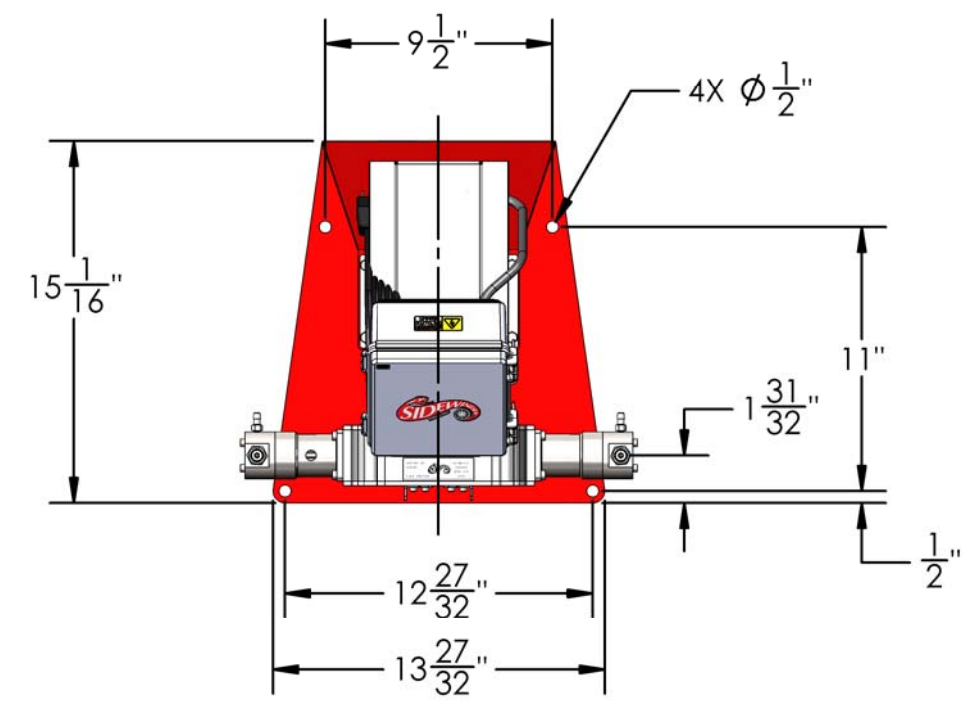


REVISIONS		
REV.	DESCRIPTION	DATE
-	INITIAL RELEASE OF DRAWING	1/3/15



NOTES:  
 1) MOTOR BASE MOUNTING DIMENSIONS. MOUNTS WITH 1/4-20 SCREWS.  
 2) DUPLEX VERSION SHOWN. SIMPLEX MODEL IS AVAILABLE.

**PROPRIETARY AND CONFIDENTIAL**  
 THE INFORMATION CONTAINED IN THIS DRAWING IS THE SOLE PROPERTY OF **SIDEWINDER PUMPS, INC.** ANY REPRODUCTION IN PART OR AS A WHOLE WITHOUT THE WRITTEN PERMISSION OF **SIDEWINDER PUMPS, INC.** IS PROHIBITED.

<p>UNLESS NOTED OTHERWISE, DIMENSIONS ARE IN INCHES, AND TOLERANCES ARE AS FOLLOWS:</p> <p>FRACTIONAL: ±1/32          ANGULAR: ±1/2°          MATERIAL FINISH: 125          TOTAL RUNOUT WITHIN .010 TIR/FIM</p> <p>ONE PLACE DECIMAL .x ±.015          TWO PLACE DECIMAL .xx ±.010          THREE PLACE DECIMAL .xxx ±.005</p> <p>FOR DRILLED HOLES:          UP TO 1/2" +.005/-001          OVER 1/2" TO 1" +.010/-001          OVER 1" TO 2" +.015/-001</p>		<p>Spicy Little Pump</p> <p>PO BOX 80769          107 COMMISSION BLVD          LAFAYETTE, LA 70598-0769</p>	
<p>DRAWN BY: PRS 1/3/2015</p> <p>CHECKED BY:</p> <p>MATERIAL: SEE NOTES</p>		<p>PART NAME:  <b>MOUNT DIMENSIONS</b>          STD. AC DUPLEX PUMP</p>	
<p>SIZE B</p>		<p>PART NO. <b>AC PUMP</b></p>	
<p>DO NOT SCALE DRAWING</p>		<p>REV -</p> <p>SHEET 1 OF 1</p>	